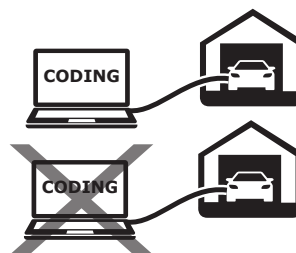




## SKODA

Octavia III (SE) Hatch/Sedan	02/2013 >> 10/2020
Octavia III (SE) Estate/Combi	05/2013 >> 10/2020
Octavia III (SE) Scout	08/2014 >> 10/2020
Octavia IV (NX3)	03/2020 >>
Octavia IV Combi (NX5)	03/2020 >>
Superb (3V3) III Hatch/Sedan	06/2015 >> 07/2023
Superb (3V5) III Estate/Combi	09/2015 >> 07/2023
Superb III (3V) IV	01/2020 >> 07/2023
Superb IV Sedan (NZ3)	03/2024 >>
Superb IV Estate/Combi (NZ5)	03/2024 >>



## ECS Duplex-Kit

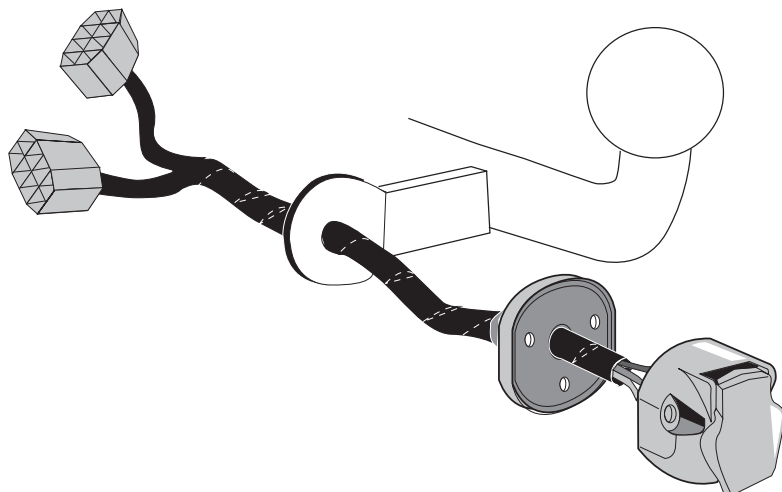
Tow bar wiring harness  
13pin/ISO11446 including  
two different operation-modes

Vehicles with and without trailer preparation!

Part No: VW-305-13MU

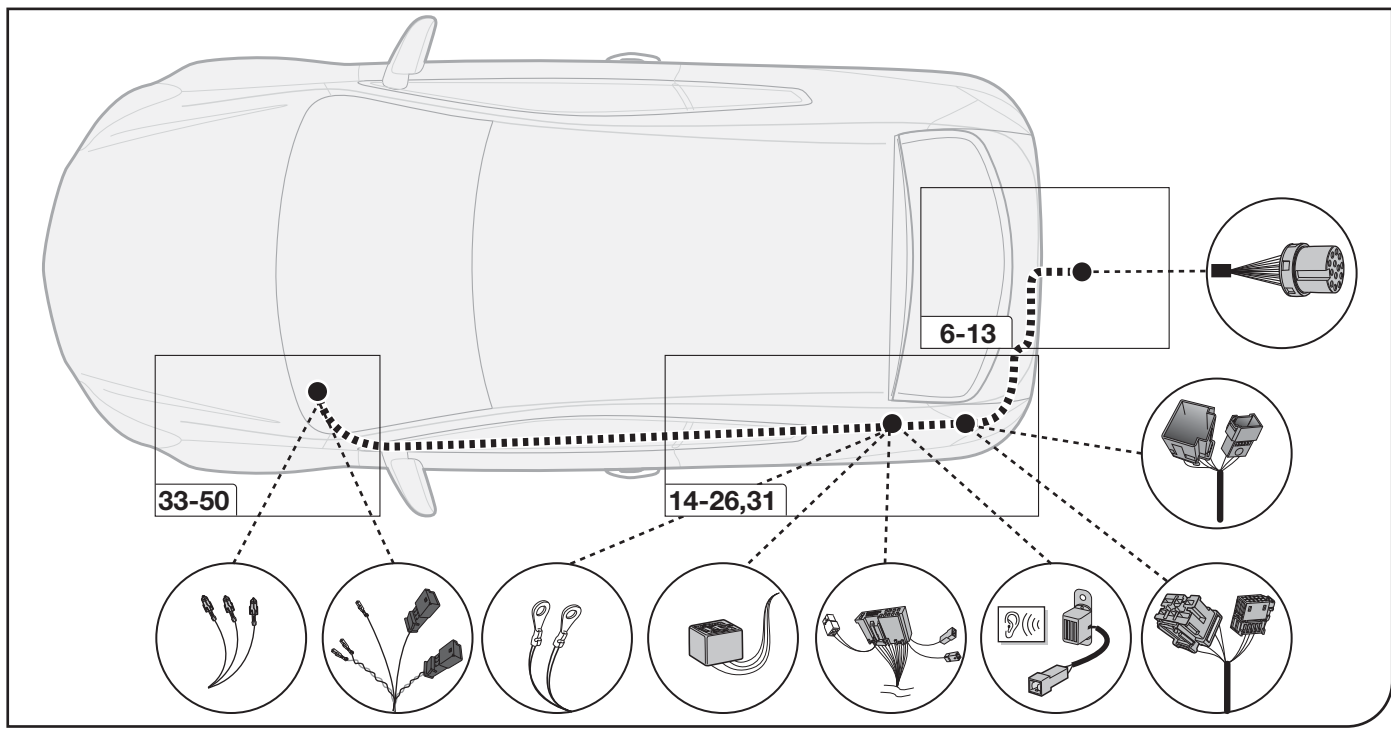
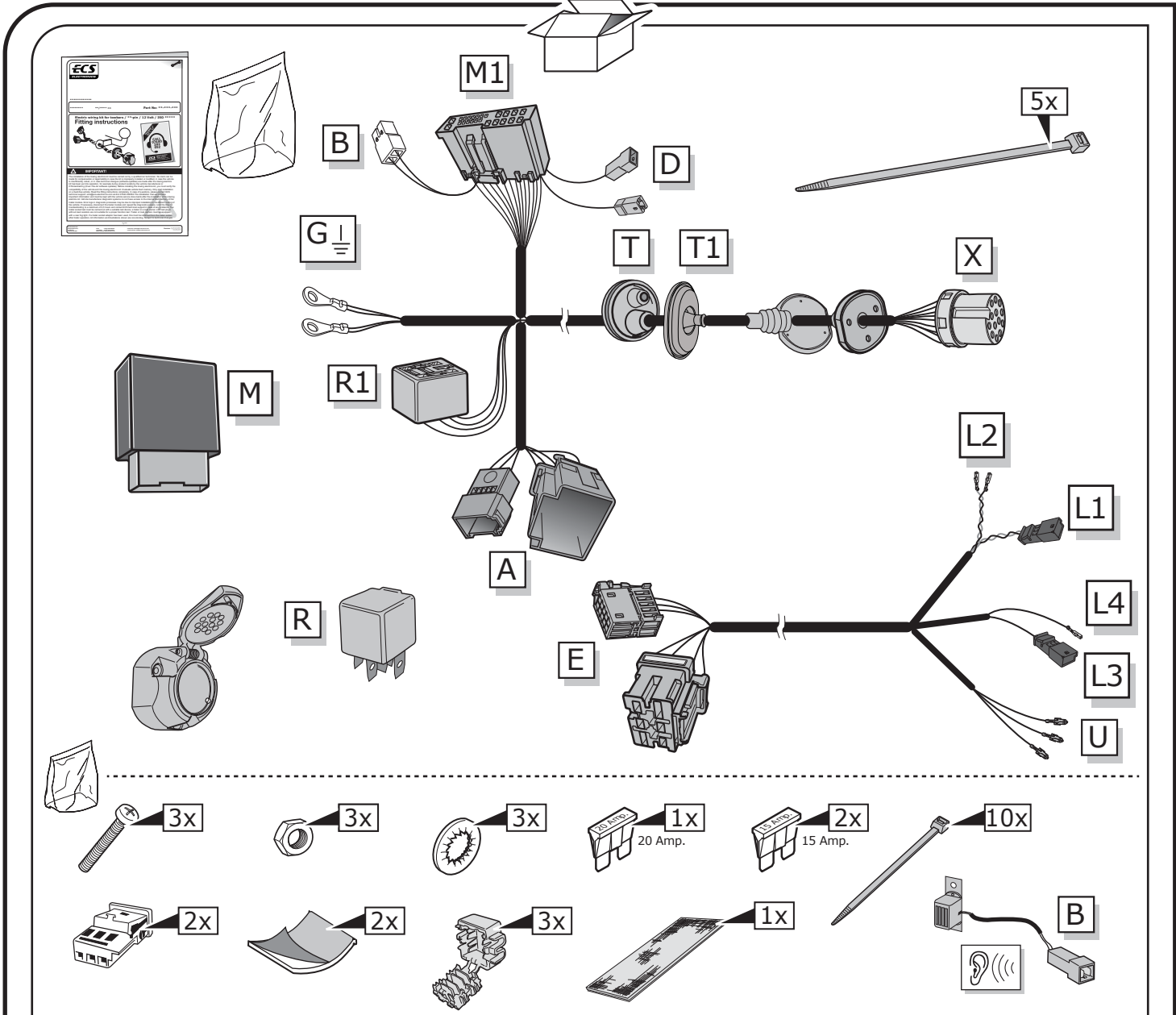
# Electric wiring kit for towbars / 13-pin / 12 Volt / ISO 11446

## Fitting instructions



## IMPORTANT!

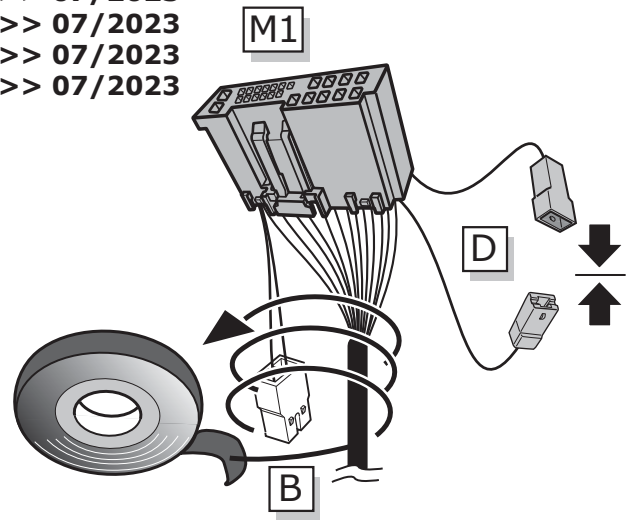
The installation of the towing electrics kit must be carried out by a qualified car technician. No claim can be made for compensation or legal liability in case the kit is improperly installed or modified, in case the vehicle is insufficiently coded, or in case technical changes (software-updates) are made after the towing electrics kit has been put into operation, for example during product recalls by the vehicle manufacturer or OTA maintaining (Over-The-Air software updates). Before installing the towing electrics kit, you must verify the compatibility of the vehicle and the towing electrics kit. Evaluate vehicle fault memory. Only start installation on a fault-free vehicle. Read the fitting instructions completely. In case of questions, please contact ECS technical support: [uks@ecs-electronics.com](mailto:uks@ecs-electronics.com) and/or 07440 202052. The installation manual contains important information and must be kept with the vehicle service documents after the installation of the towing electrics kit. Vehicle manufacturer diagnostic systems do not have access to the internal fault memory of the trailer module. Error logs in diagnostic processes may be due to improper installation or insufficient coding of the vehicle. If necessary, disconnect the trailer module and repeat the diagnostic process. Limit the time for troubleshooting to a maximum of 0,5 hours and contact ECS technical support in case of any problems. The trailer socket test must be carried out with a suitable test device, a trailer or a load carrier. LED test plugs without load resistors are not suitable for a proper function test. Trailer or load carriers must be equipped with a rear fog light. If a trailer socket adaptor has been used, this must be removed from the trailer socket after trailer operation. All information and illustrations shown are non-binding. Subject to technical changes.



## Duplex-Mode 1 - With Coding (read/write)

### INFO

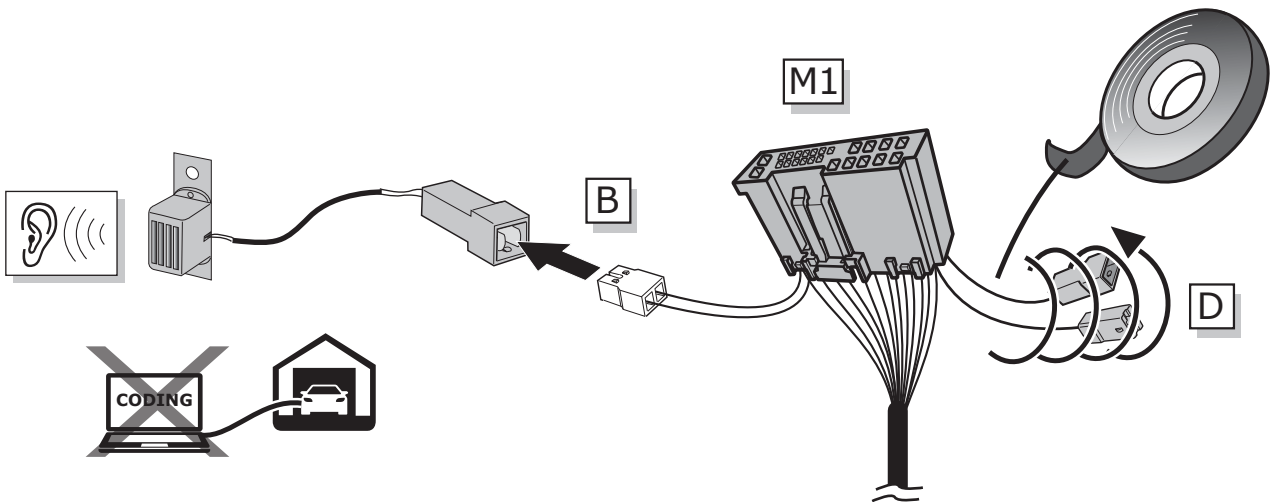
Skoda Octavia III (SE) Hatch/Sedan	02/2013 >> 10/2020
Skoda Octavia III (SE) Estate/Combi	05/2013 >> 10/2020
Skoda Octavia III (SE) Scout	08/2014 >> 10/2020
Skoda Superb III (3V3) Hatch/Sedan	06/2015 >> 07/2023
Skoda Superb III (3V5) Estate/Combi	09/2015 >> 07/2023
Skoda Superb III (3V) IV	01/2020 >> 07/2023
Skoda Octavia IV (NX3)	03/2020 >> 07/2023
Skoda Octavia IV Combi (NX5)	03/2020 >> 07/2023



## Duplex-Mode 2 - Without Coding (read-only)

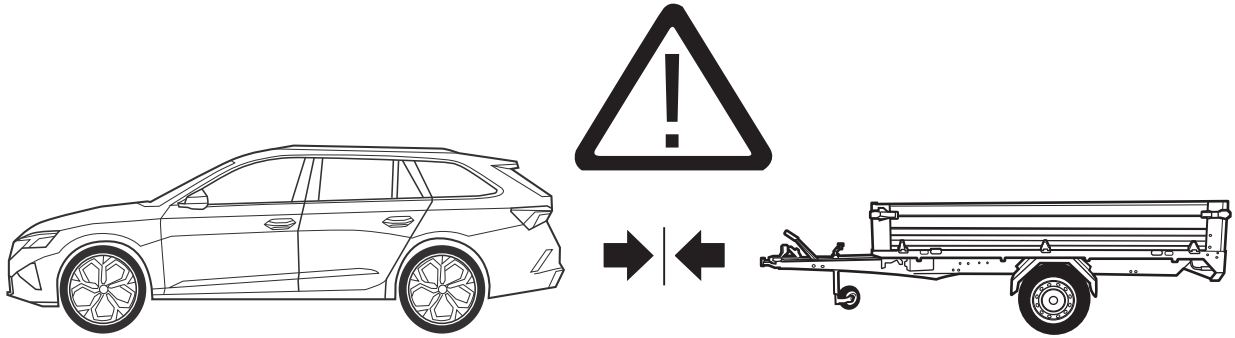
### INFO

Skoda Octavia IV (NX3)	08/2023 >>
Skoda Octavia IV Combi (NX5)	08/2023 >>
Skoda Superb IV Sedan (NZ3)	03/2024 >>
Skoda Superb IV Estate/Combi (NZ5)	03/2024 >>



Vehicles with the equipment codes NI1, NI7, NI8, and NI9 currently cannot be coded for trailer operation. The so-called PR codes NI1, NI7, NI8, and NI9 represent an extended protection device from Volkswagen AG (SFD2), which will be implemented starting August 2023 and now affects all models. For vehicles with the aforementioned PR codes, the ECS Duplex installation kit must be installed in read-only mode as described above.

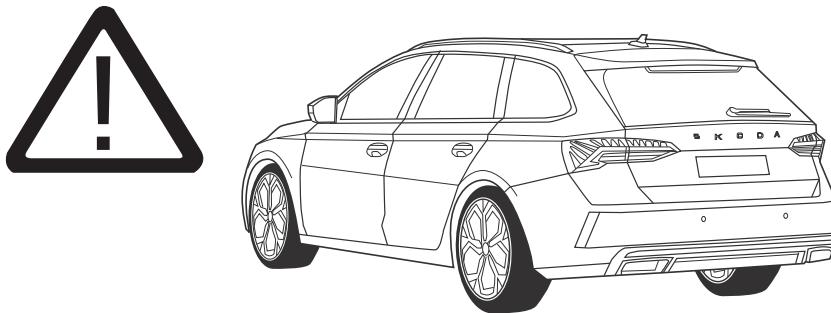
## Duplex-Mode 2 - Without Coding (read-only)



### Please note:

This wiring kit does not support any vehicle assistance systems in Duplex 2 mode (read-only). Assistance systems may need to be deactivated manually when towing a trailer or load carrier. The rear fog light of the vehicle is not deactivated when towing a trailer. After the towing electrics kit has been put into initial operation, manual deactivation of assistance systems may, in exceptional cases, be subsequently restricted by the vehicle manufacturer through software updates. Any warranty from ECS is expressly excluded in this case. Please contact the vehicle manufacturer.

## Duplex-Mode 2 - Without Coding (read-only)



### Please note:

The electric tailgate will continue to operate even when a load carrier/trailer/caravan is connected and must be operated manually to avoid damage. Automatic or remote-controlled parking assistance systems must not be used when towing a trailer.

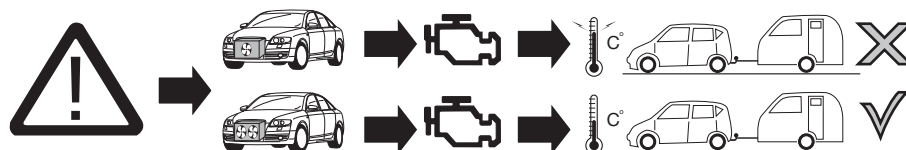
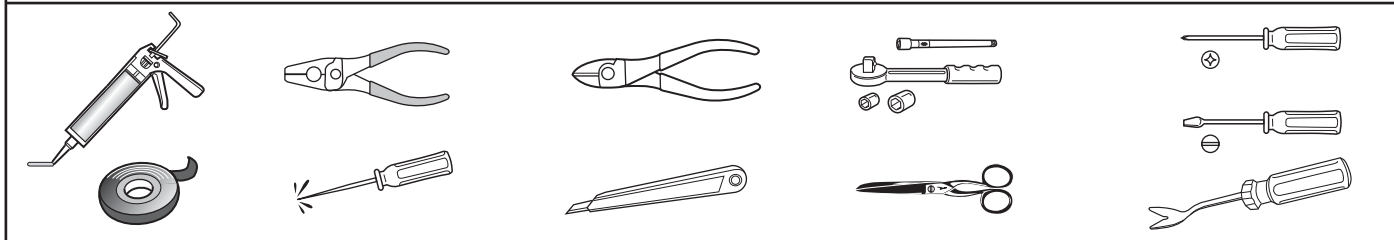
# SYMBOL EXPLANATION

58L	Left taillight (58-L)
58R	Right taillight (58-R)
54	Stop light (54) / high mounted, third stop light (54)
	Turn signal indicator left
	Turn signal indicator right
	Rear fog light(s)
	Reversing lights(s)
+30	Permanent power supply / 13pin socket, chamber 9
+15	Charging wire for trailer battery/ 13pin socket, chamber 10
	Trailer / Trailer recognition
<b>+30</b>	Permanent current power supply
<b>+15</b>	Voltage after ignition

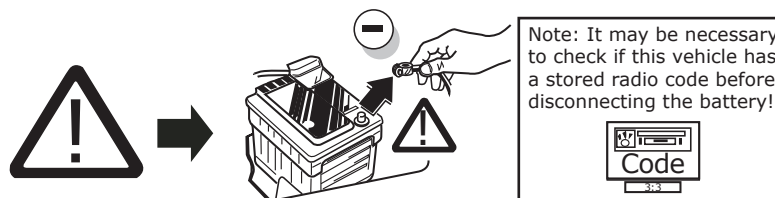
	Ground or Earth (31)
	Ground connection battery terminal lug
	Positive connection battery terminal lug
	Fuse / fuse capacity 20 Amp
	Loudspeaker / buzzer
	Park distance control
	Switch / source of function
	Connect together
	Disconnect
	PDC cut off
	Look carefully at selected area
	Present / Occupied / OK

	Not present / Not occupied / not OK
	Left
	Right
	Acoustic indication
	Attention / important advice
	Reusable
	Trash bin
	Use tape
<b>OPTION</b>	Option
<b>INFO</b>	Information
	Measure the voltage
NO NC COMMON	Normally open Normally close Common

## TOOLS



**ATTENTION!** The vehicle's cooling capacity may have to be increased when retrofitting a trailer coupling! You must observe the manufacturer's instructions!!



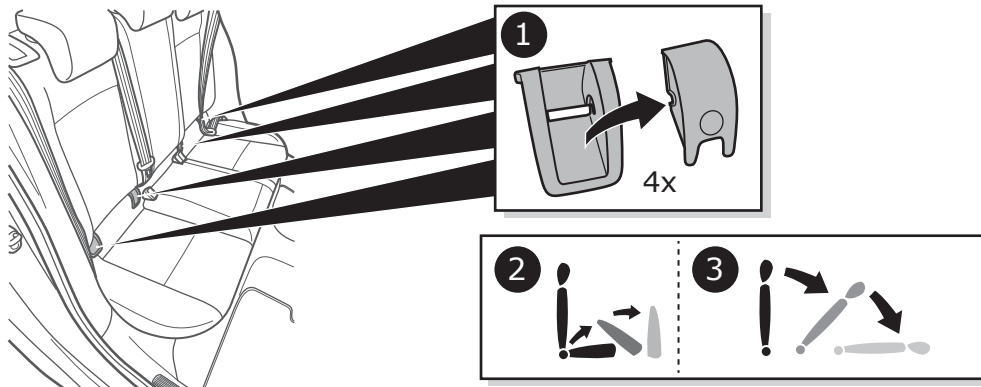
**ATTENTION!** In order to avoid mal-functions and damage to the vehicle's electrical system the earth terminal **must be disconnected** from the vehicle's battery **before starting work!**

Both the trailer module and the vehicle's control unit for the electrical system can be damaged during work on the data bus connections if the battery is not disconnected!

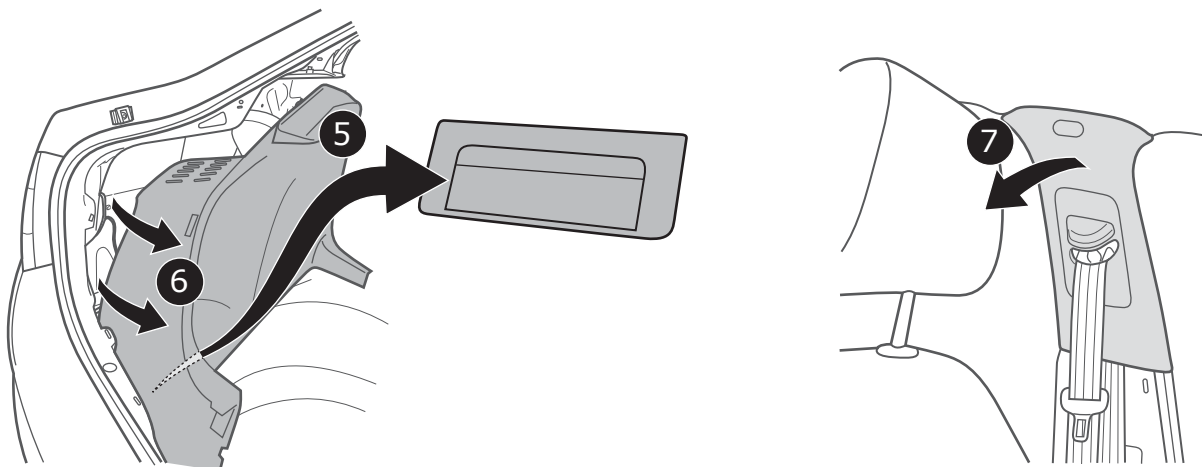
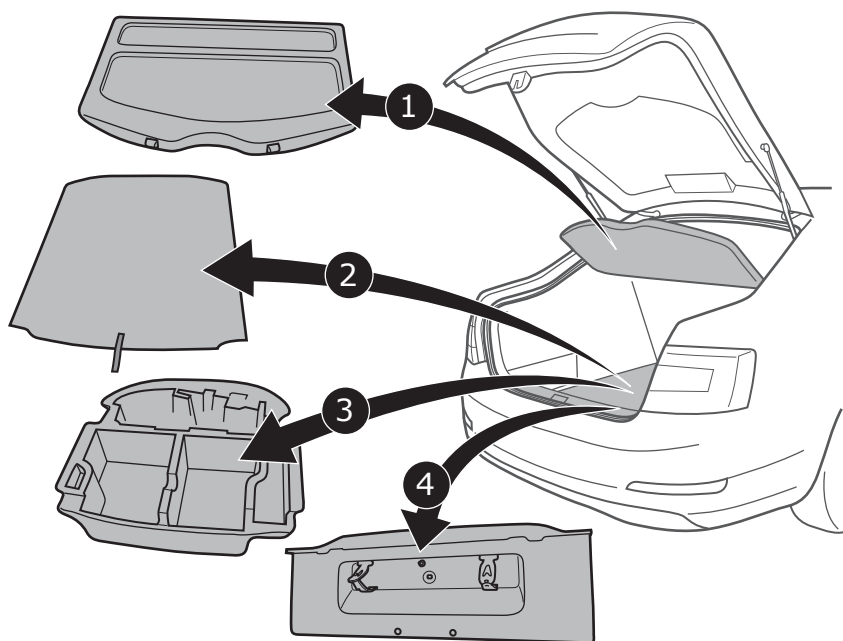
Please pay attention to the manufacturer's instructions when disconnecting and reconnecting the vehicle's battery!

1

All models

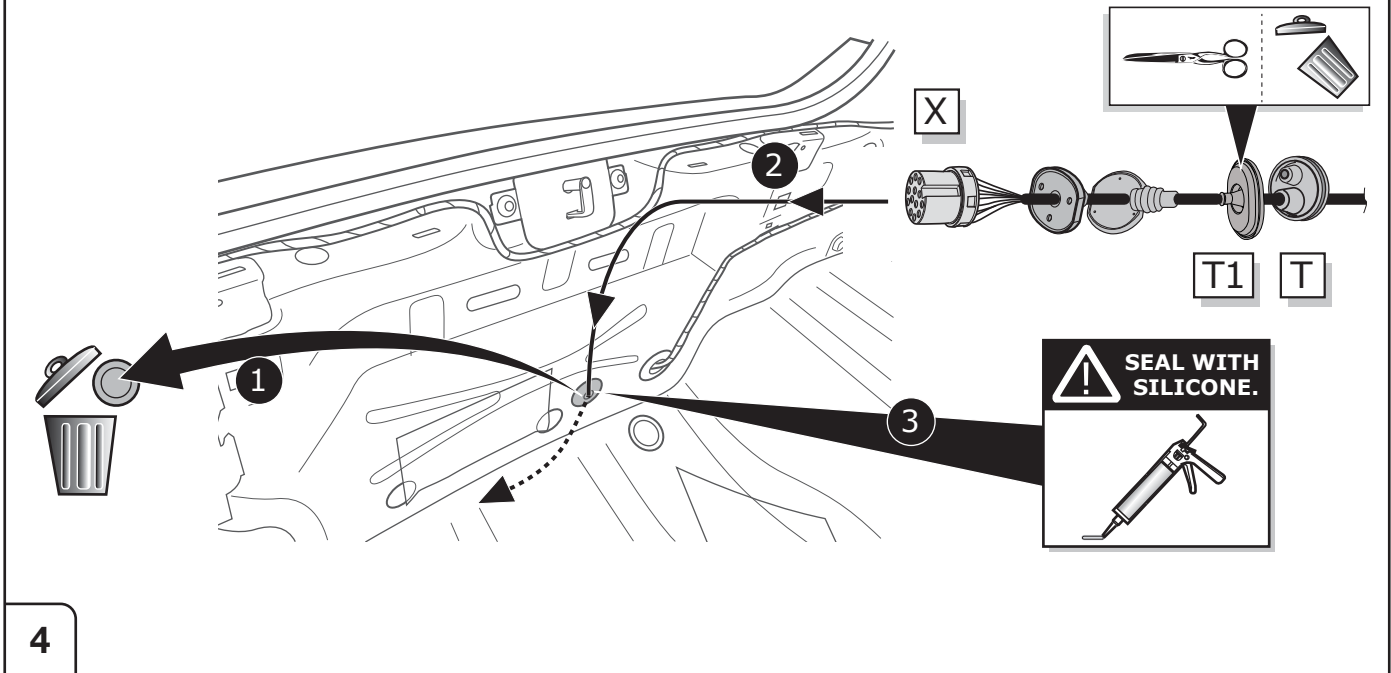
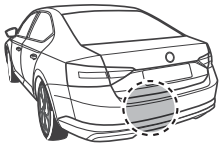


Tiguan II

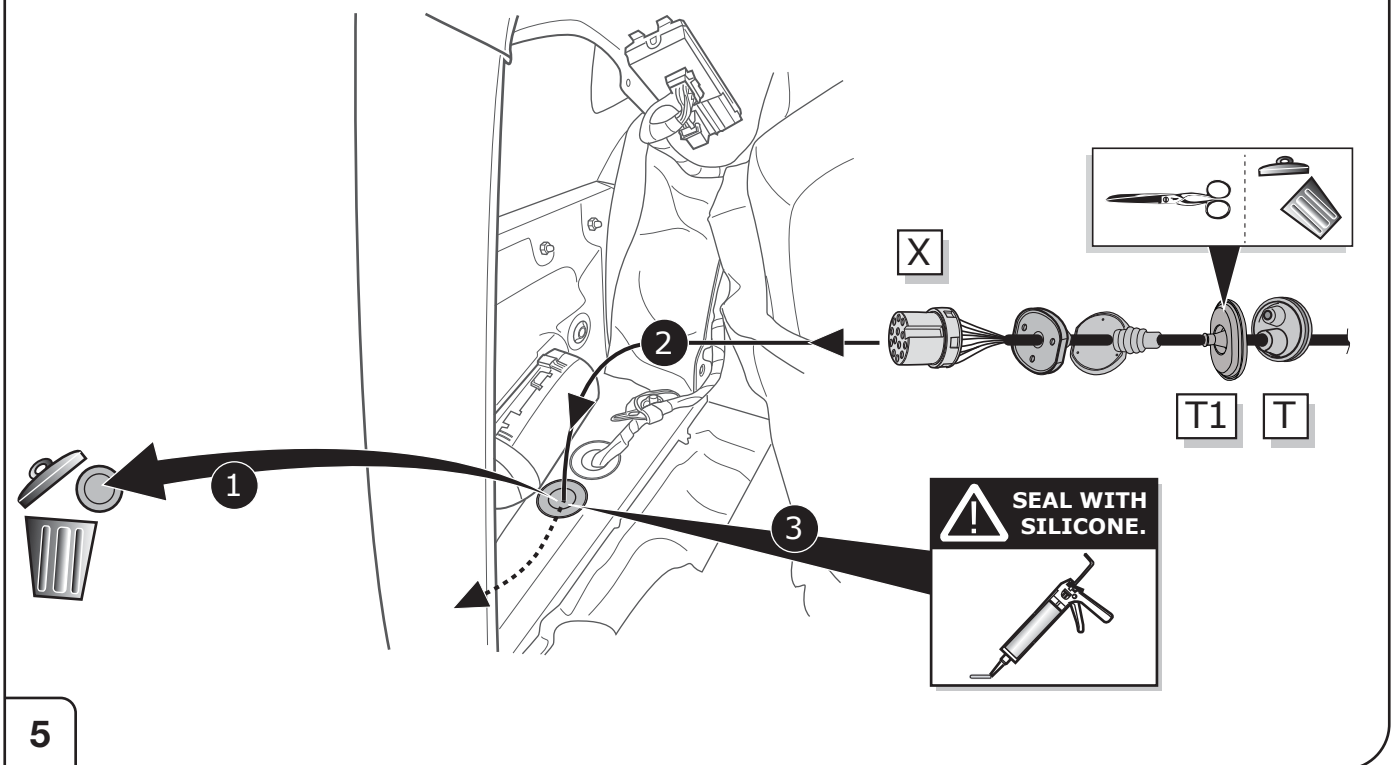
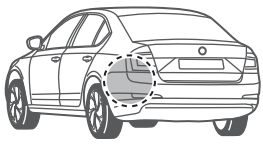


3

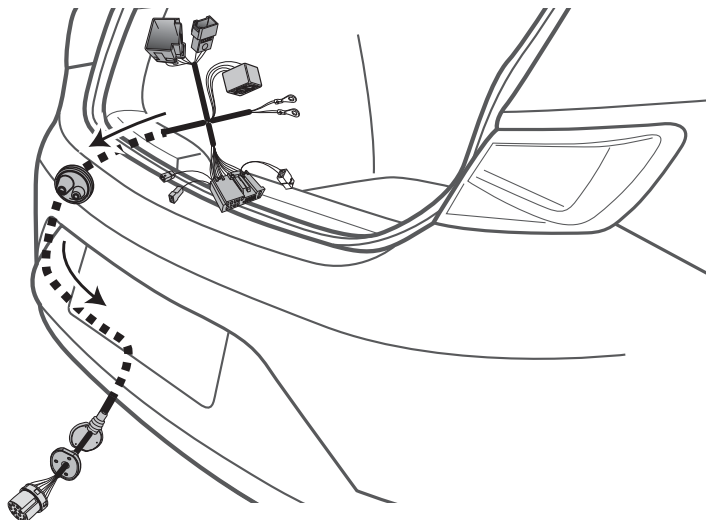
Octavia III Hatch / Sedan / Octavia III Estate / Combi / Octavia III Scout /  
 Superb III Hatch / Sedan / Superb III Estate / Combi / Superb III IV / Superb IV



Octavia IV (NX3, NN3) / Octavia IV Combi (NX5) / Octavia IV

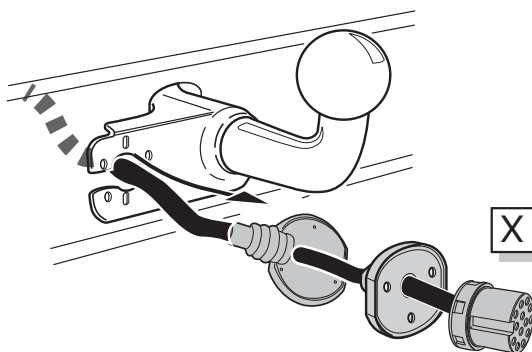


All models



6

All models



7

All models

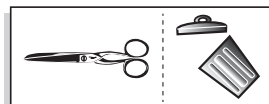
SOCKET CONNECTION



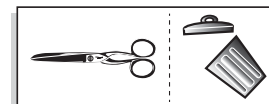
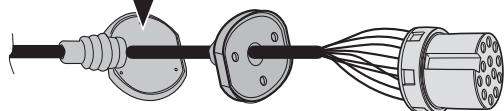
Page 31

8

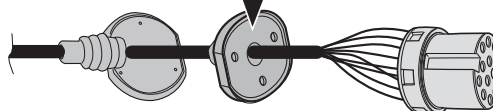
All models



Option 1

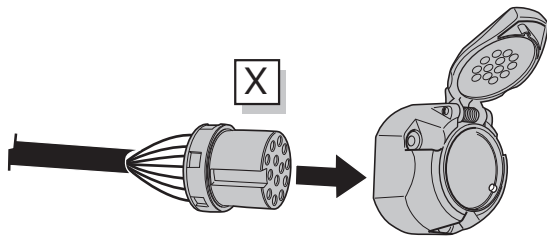


Option 2



9

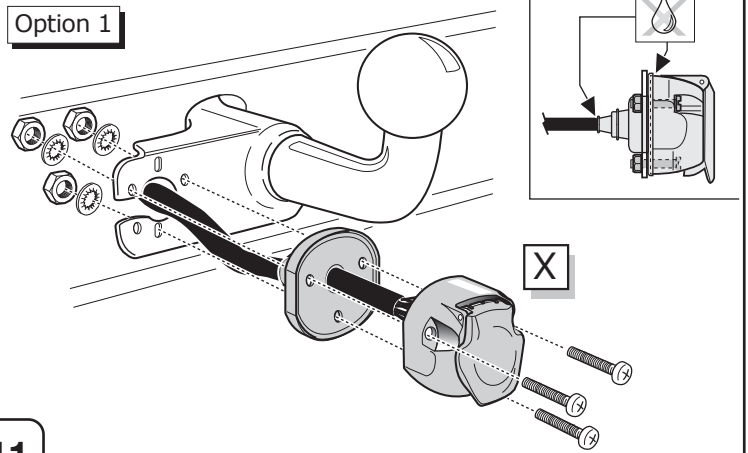
All models



10

All models

Option 1

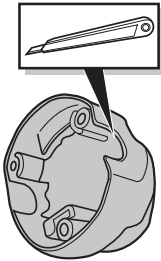


11

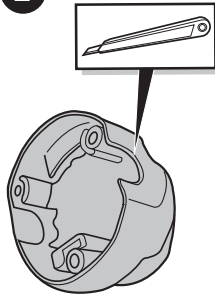
All models

Option 2

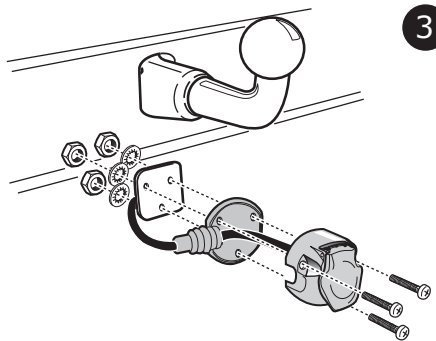
1



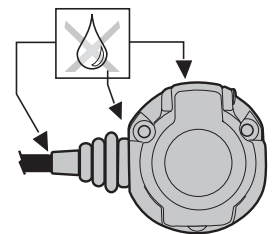
2



12



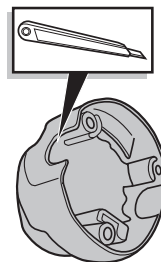
3



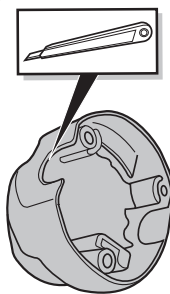
All models

Option 2

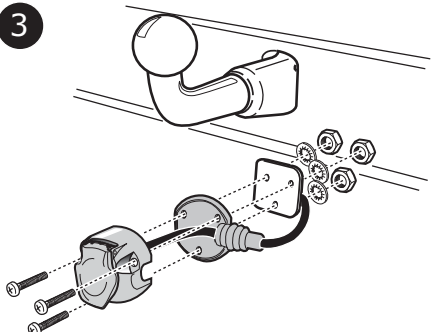
1



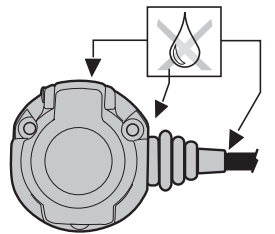
2



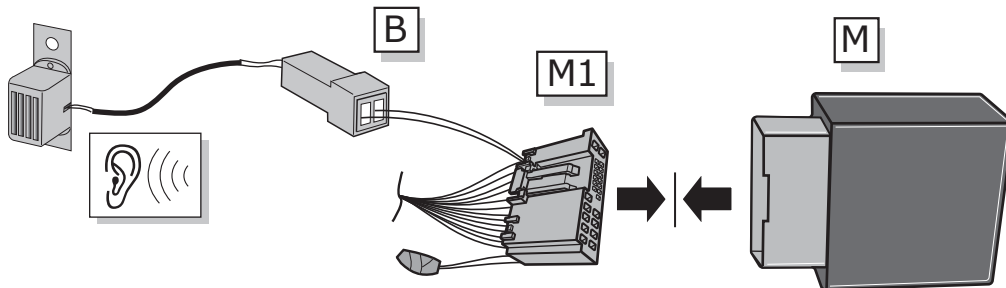
13



3




Duplex-Mode 2 - Without Coding (read-only)



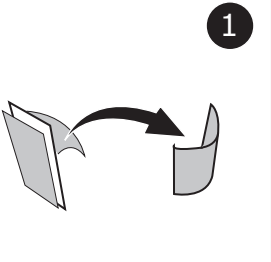
14

All models

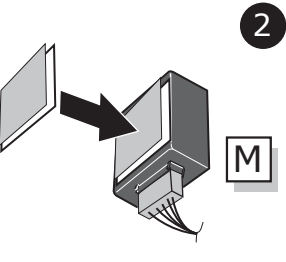


2x

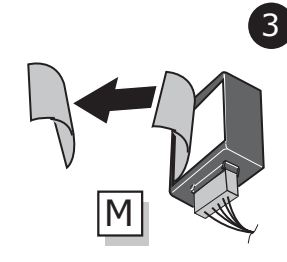
**1**




**2**



**3**

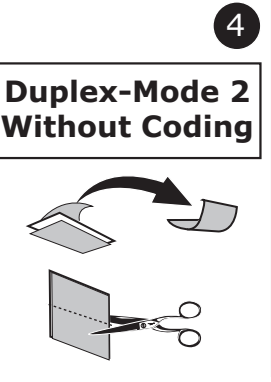




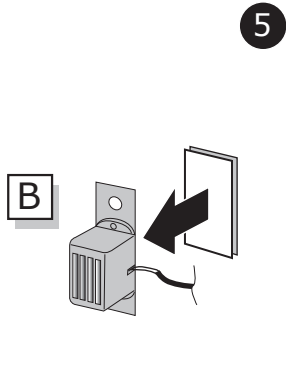
---

**4**

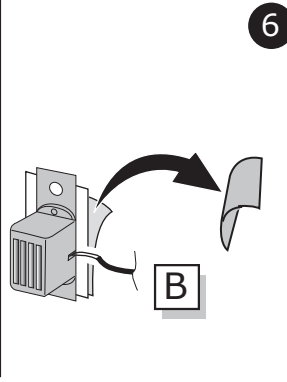
**Duplex-Mode 2 Without Coding**

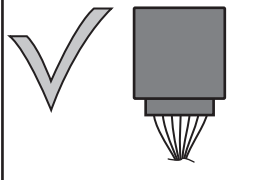
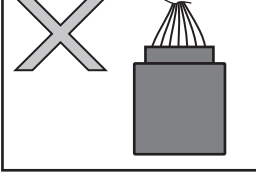


**5**



**6**

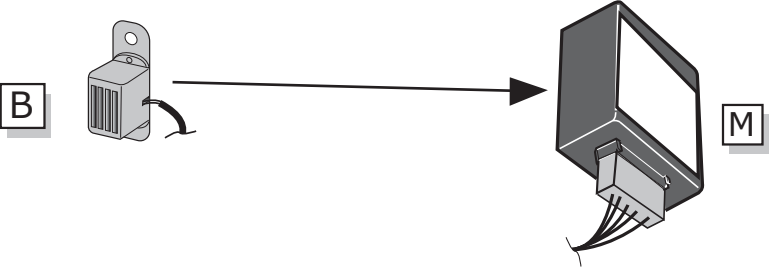


**15**

All models

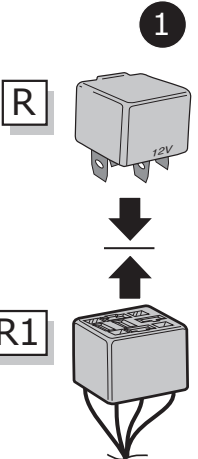
**Duplex-Mode 2 Without Coding**



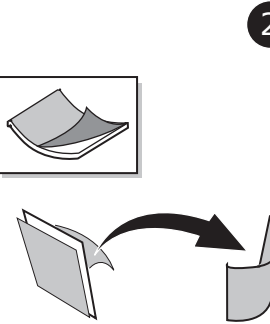
**16**

All models

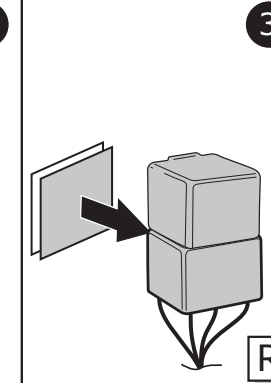
**1**



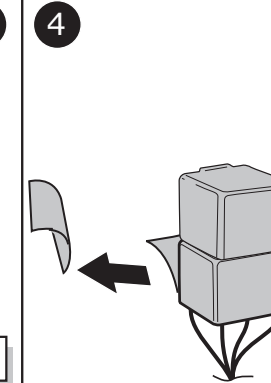
**2**


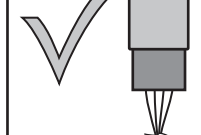
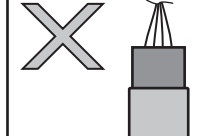


**3**

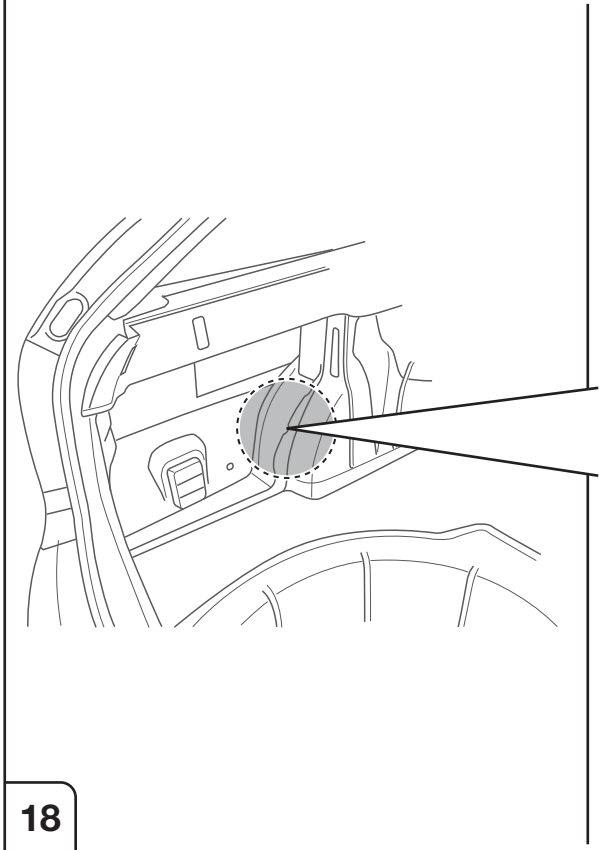


**4**

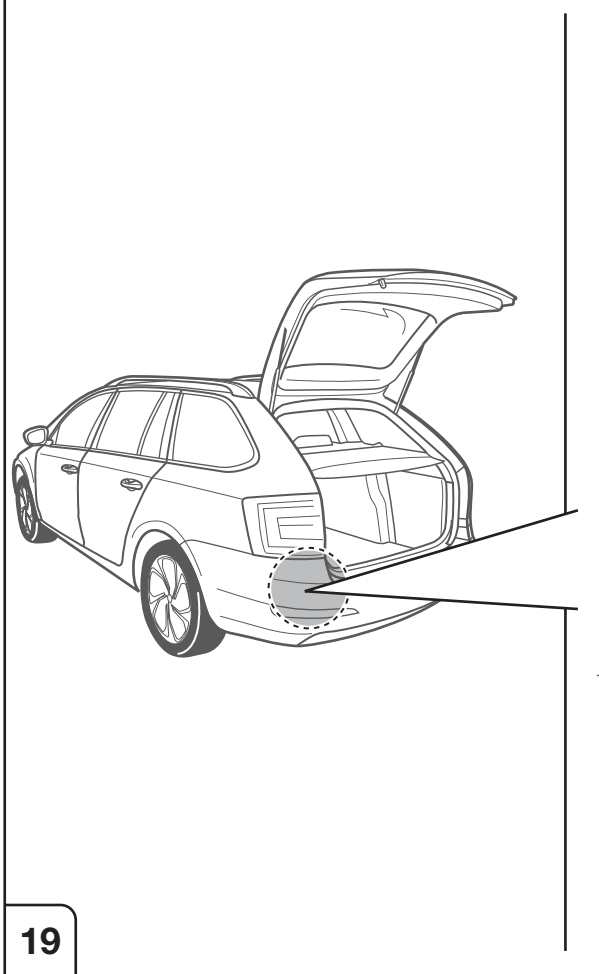
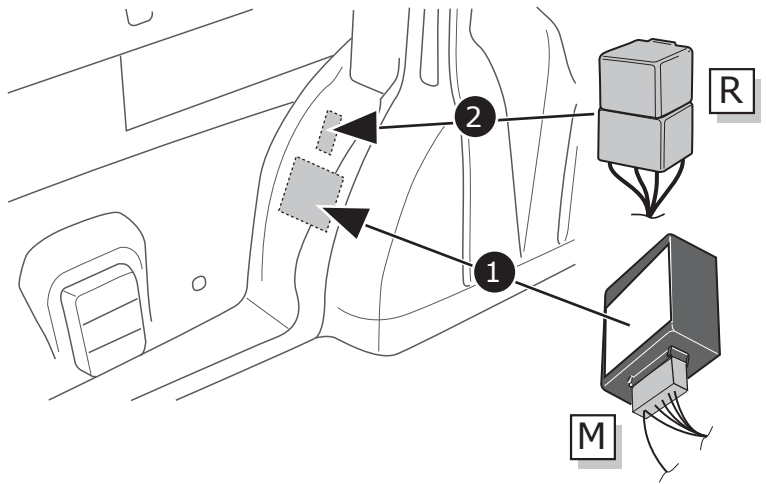


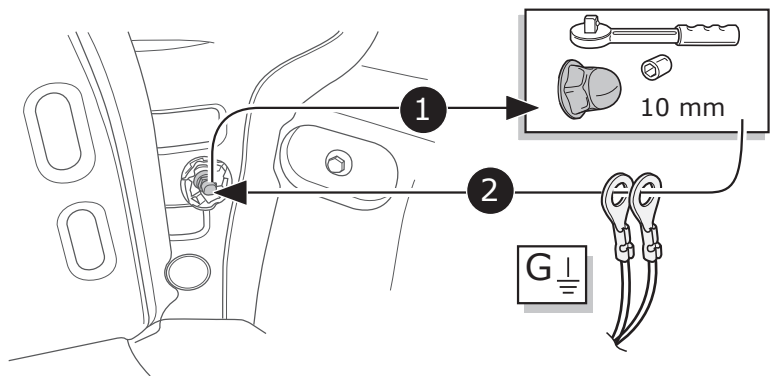
**17**



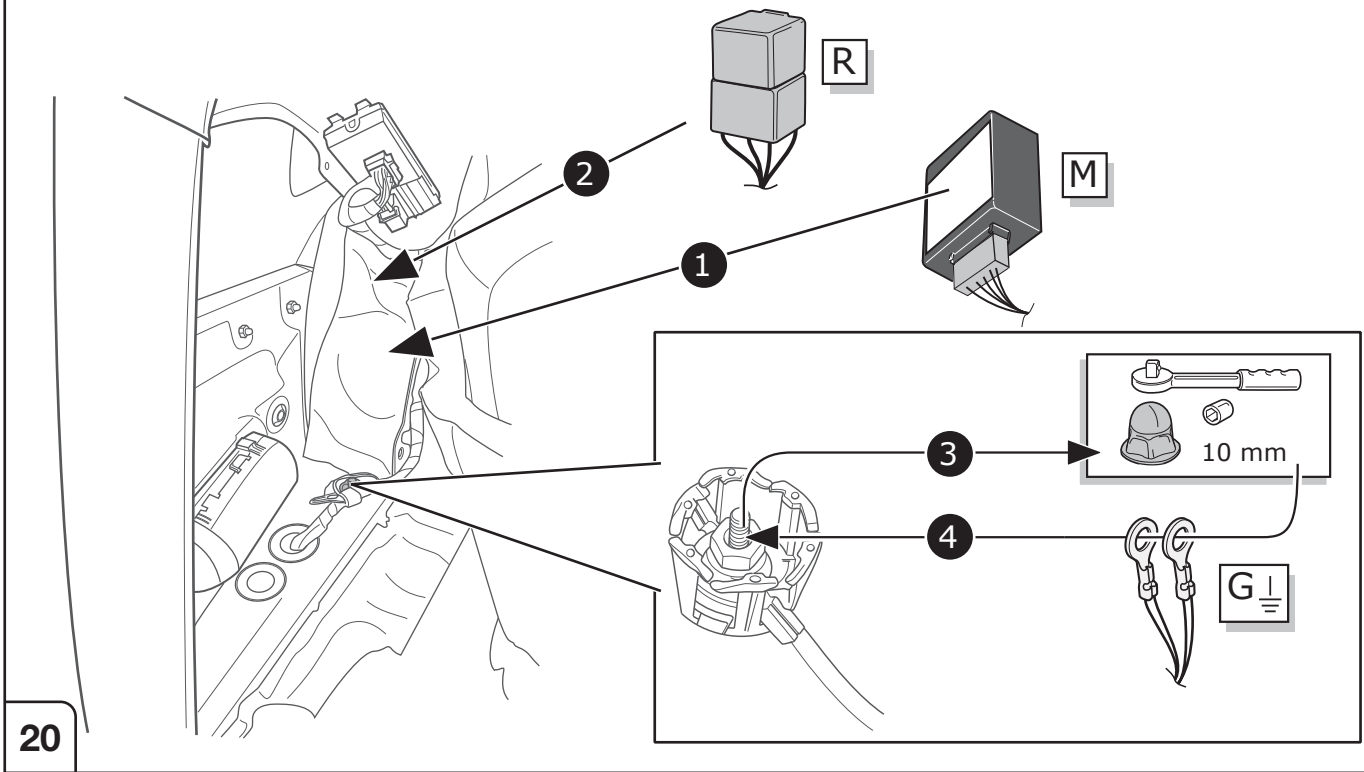
18



19

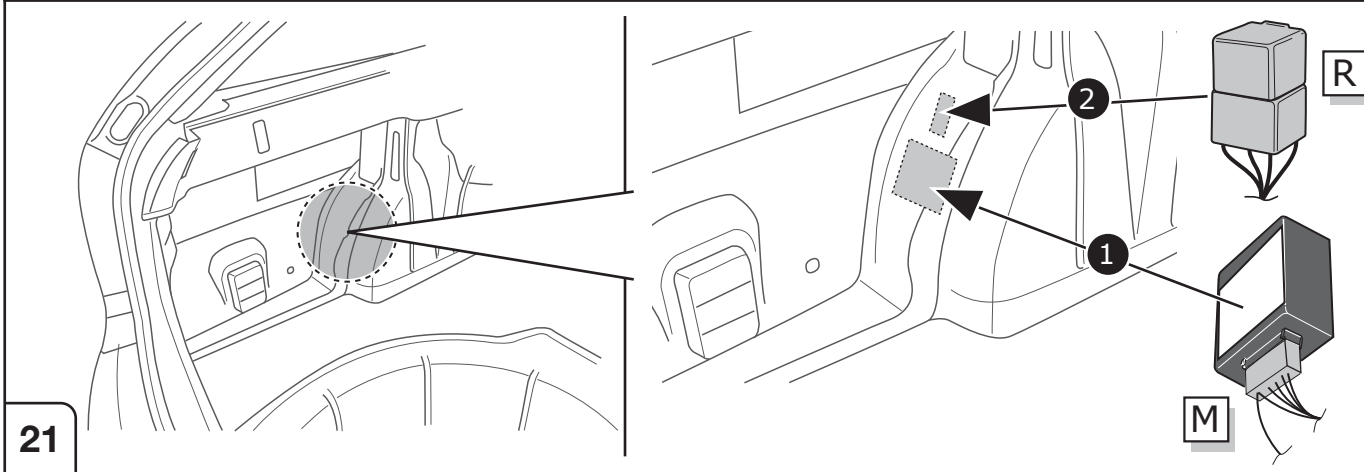


## Octavia IV Combi (NX5)



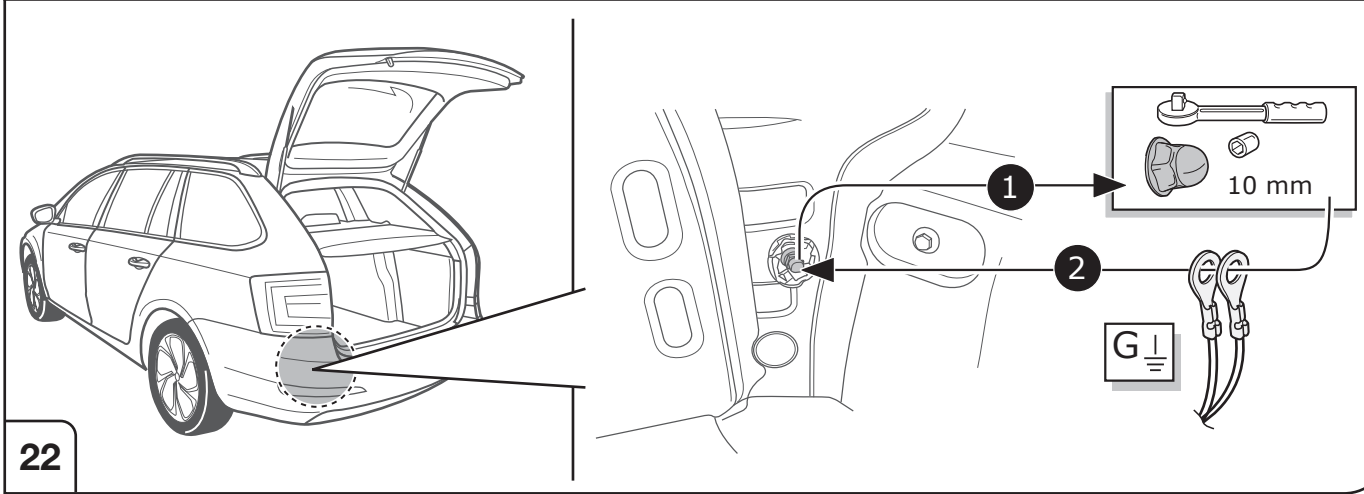
20

## Octavia III Scout



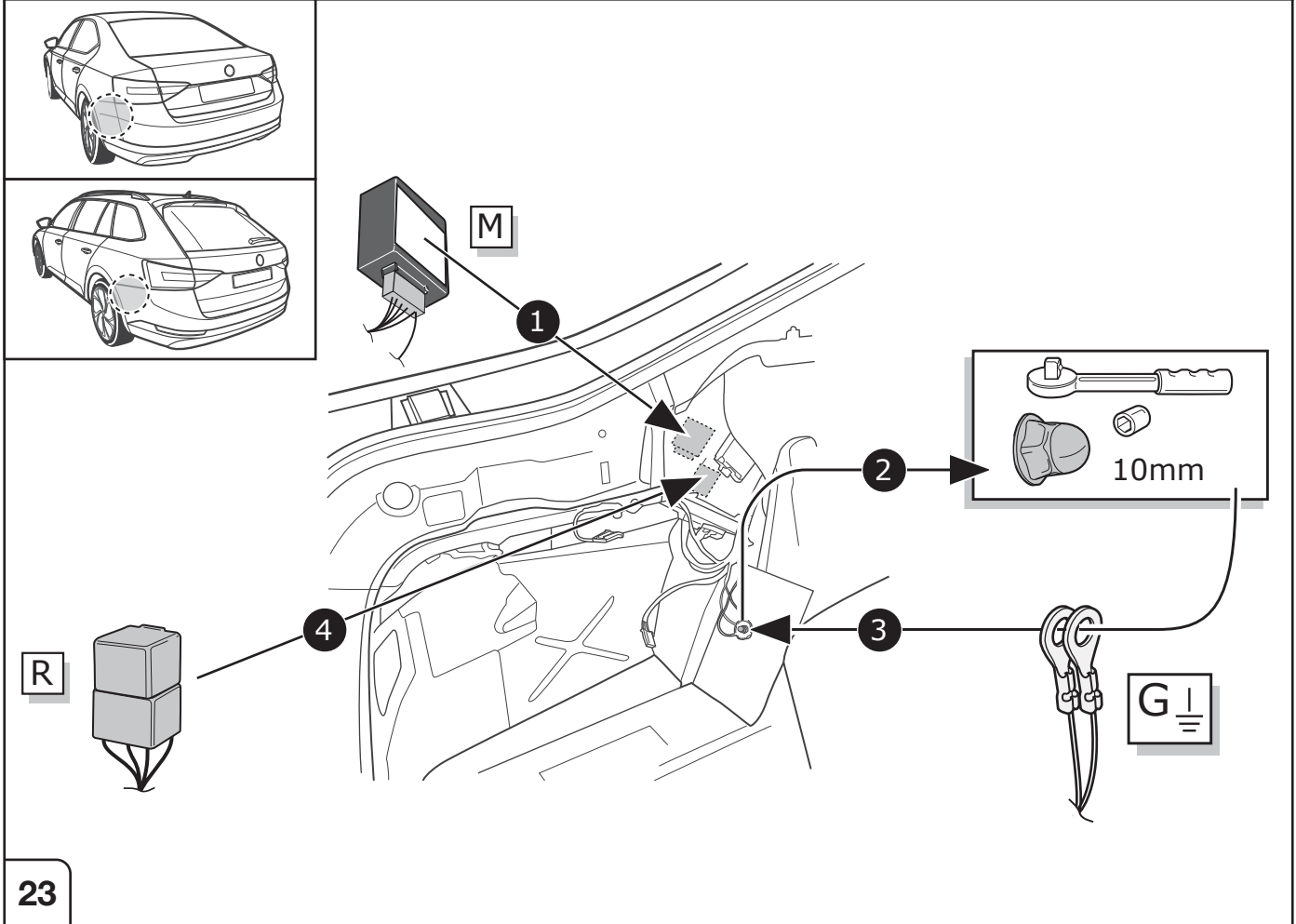
21

## Octavia III Scout



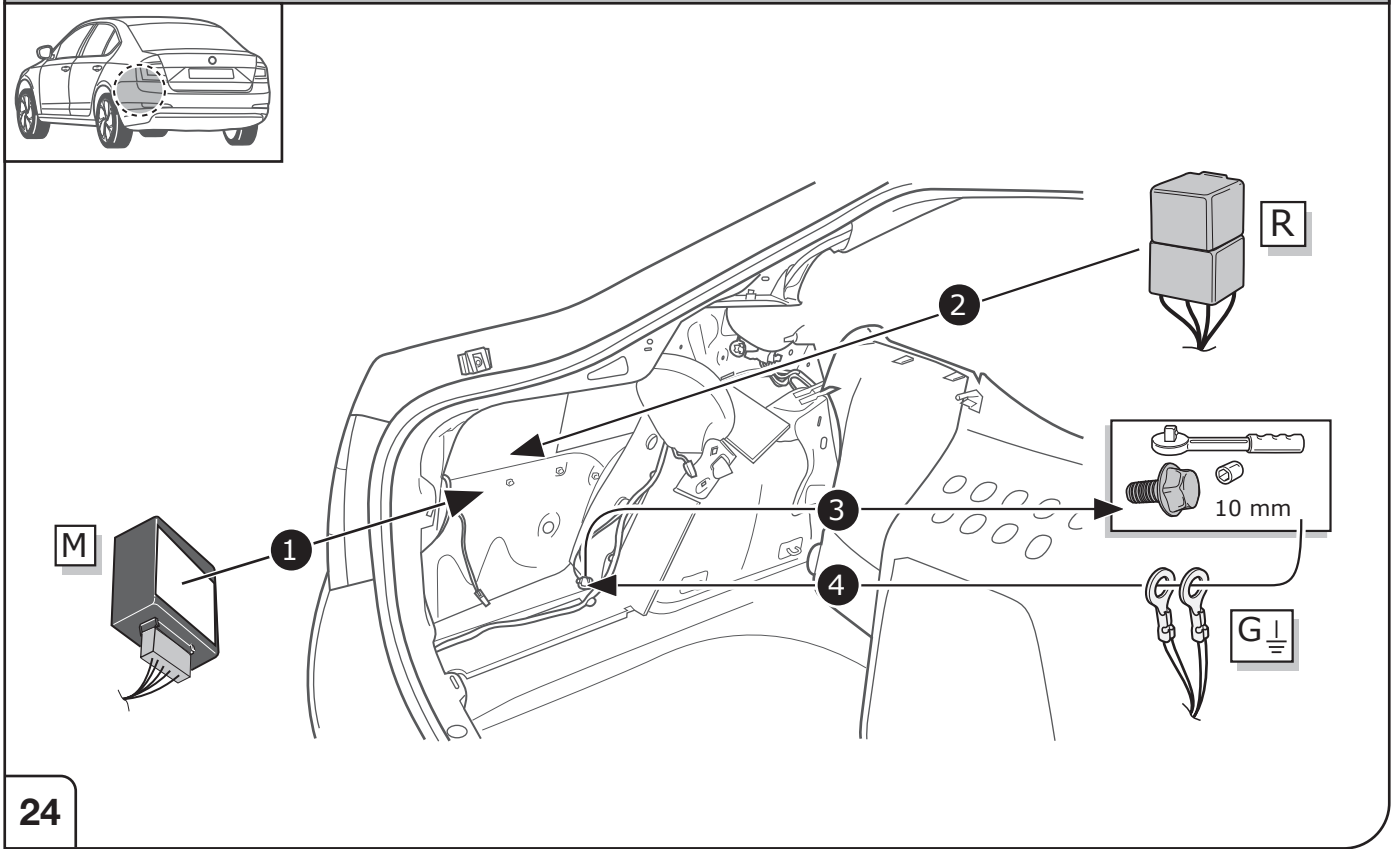
22

Superb III Hatch / Sedan / Superb III Estate / Combi / Superb III IV / Superb IV



23

Octavia III Hatch / Sedan - Octavia IV Hatch / Sedan - Octavia IV Estate / Combi



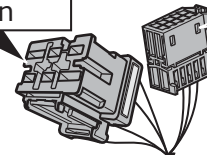
24

All models



Black/Purple  
6 pin

Black  
10 pin



Vehicles **with** trailer preparation



26

→ 28

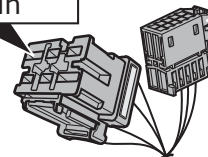
51

→ 62



Black/Purple  
6 pin

Black  
10 pin

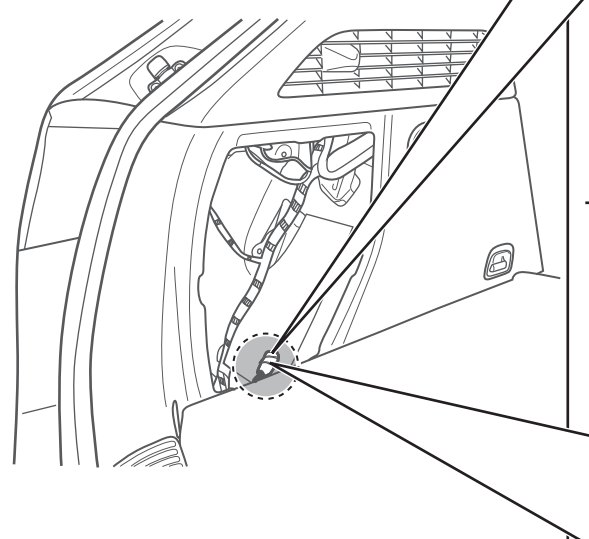


Vehicles **without** trailer preparation



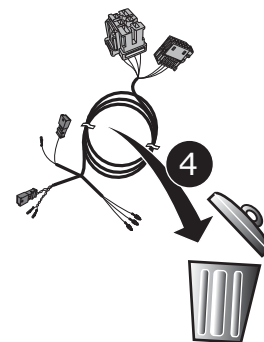
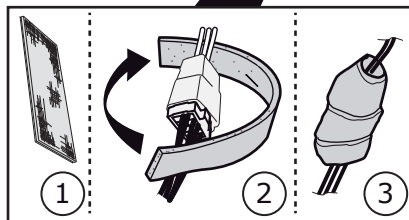
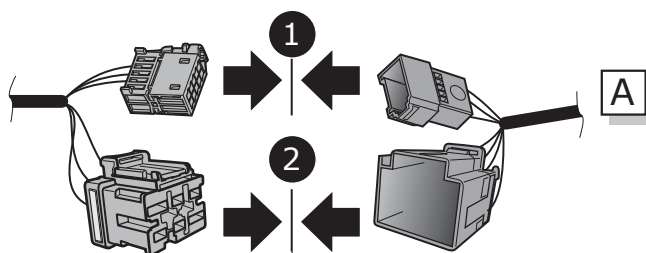
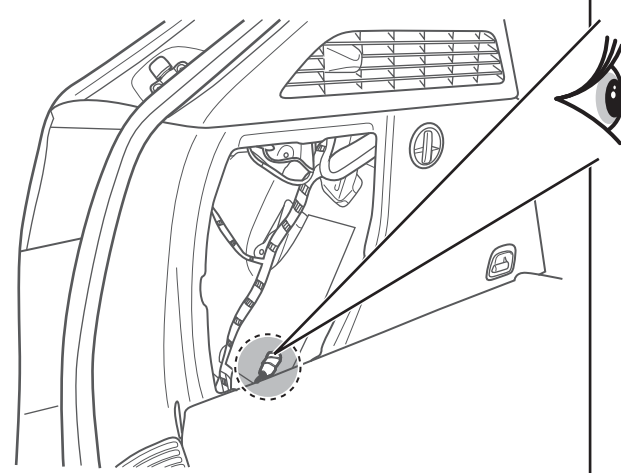
29

→ 62



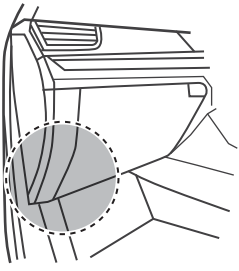
25

Vehicles **with** trailer preparation



26

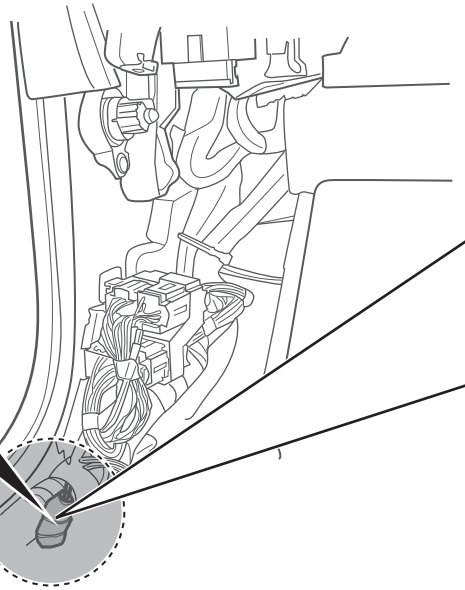
## Vehicles **with** trailer preparation



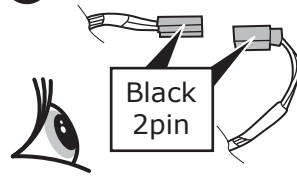
**Superb IV Estate**

Remove tape

1



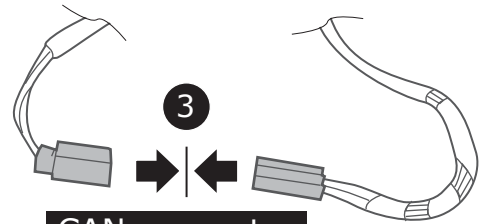
2 CAN connector



Black  
2pin

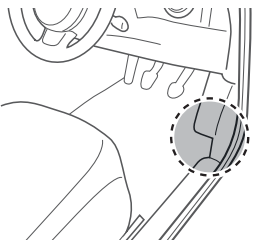
3

CAN connector



27

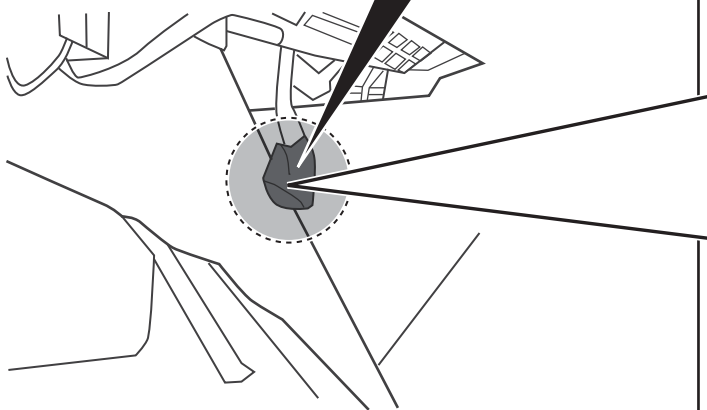
## Vehicles **with** trailer preparation



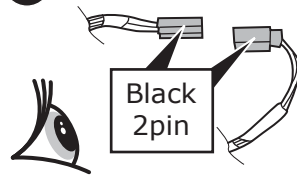
**Octavia IV  
Superb IV Station**

Remove tape

1



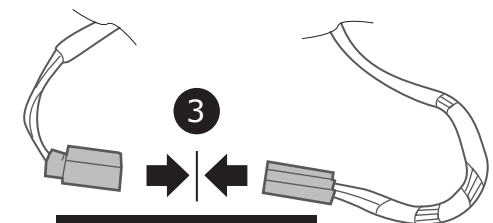
2 CAN connector



Black  
2pin

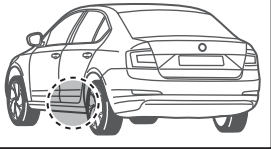
3

CAN connector

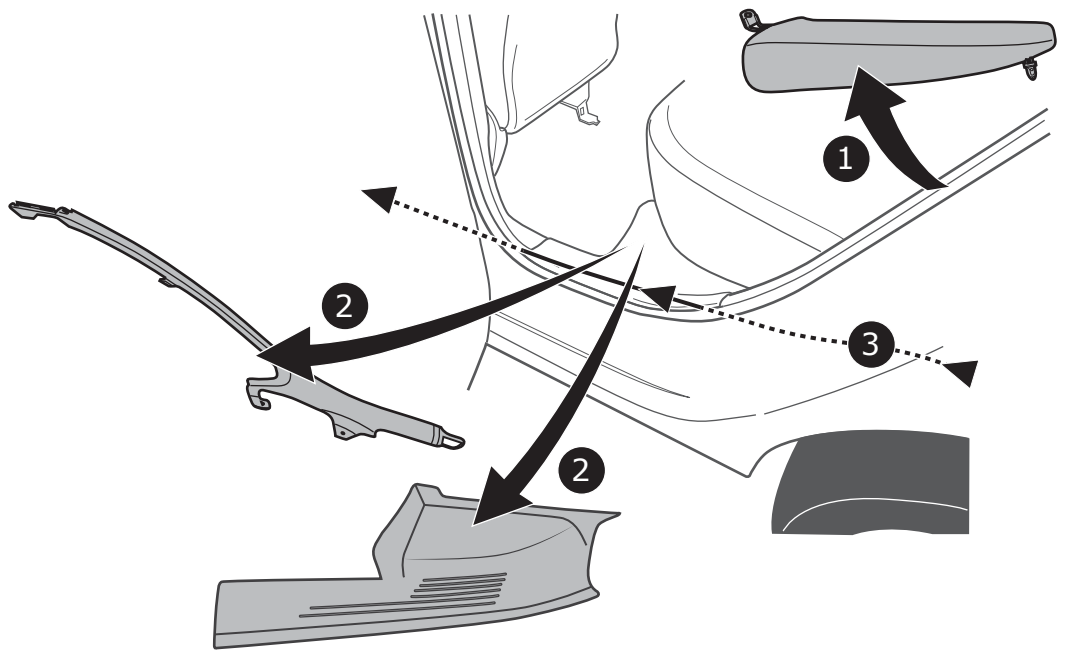


28

Vehicles **without** trailer preparation

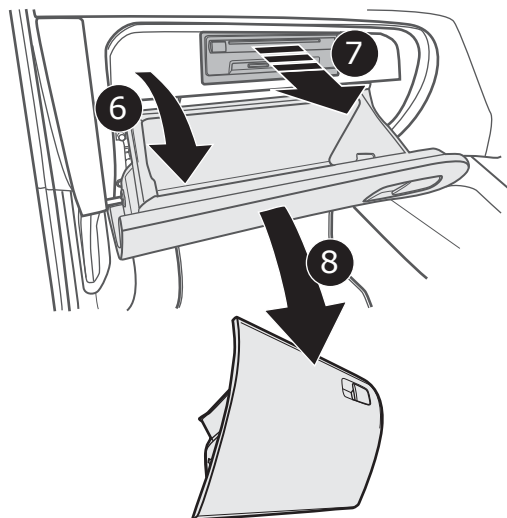
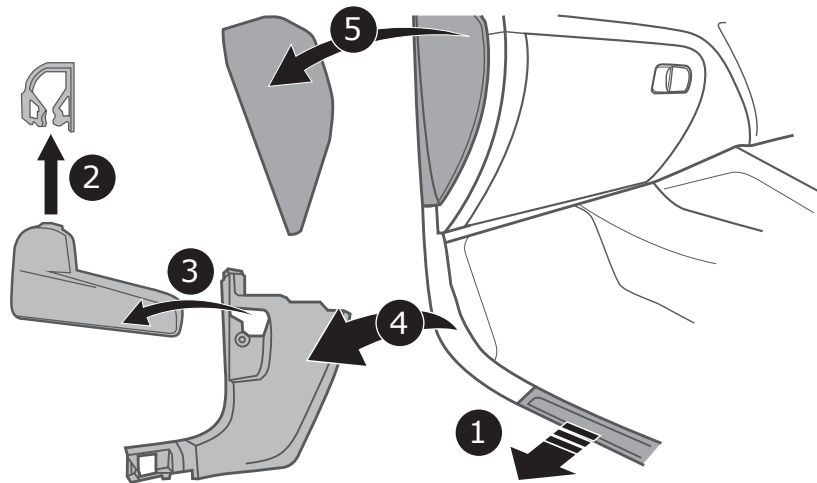
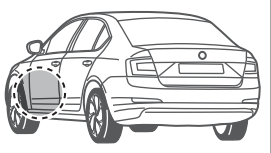


**Octavia Sedan**  
**Octavia Combi**  
**Octavia Scout**  
**Superb Combi**  
**Superb Sedan**



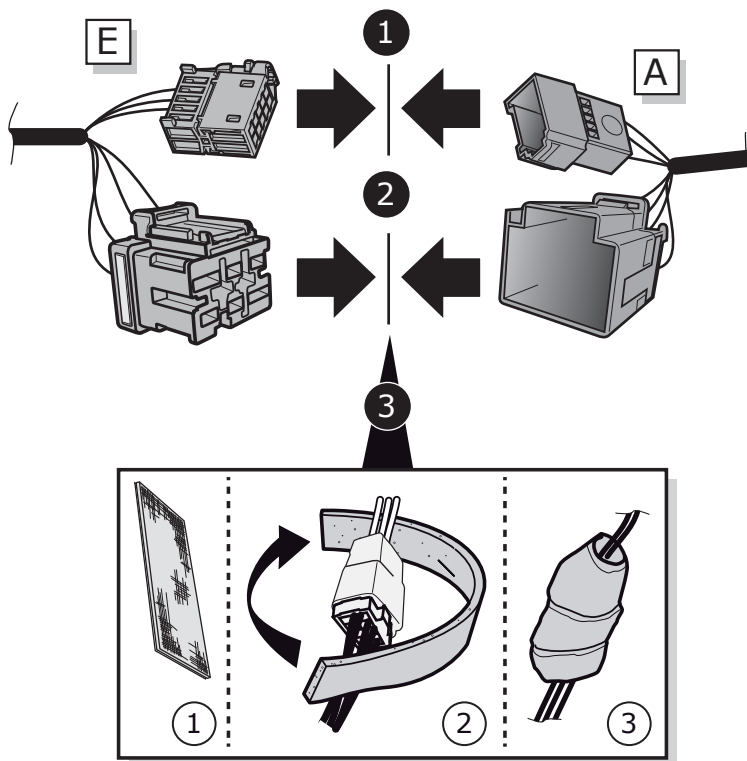
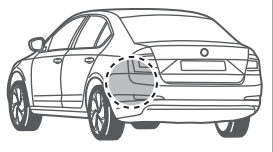
29

Vehicles **without** trailer preparation



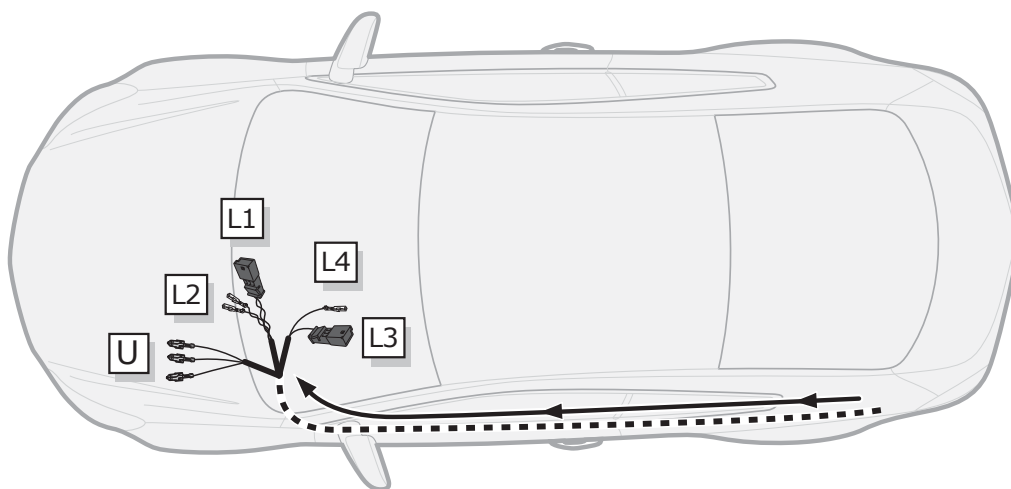
30

All models



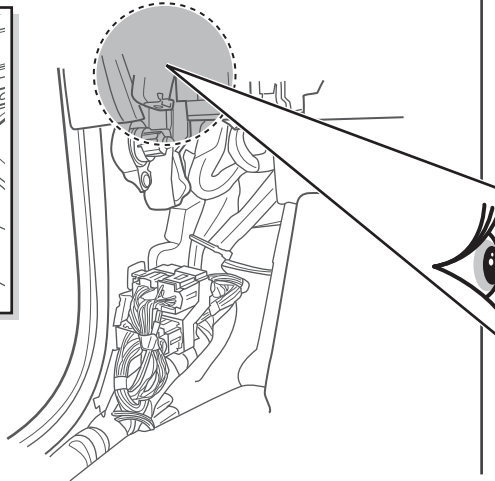
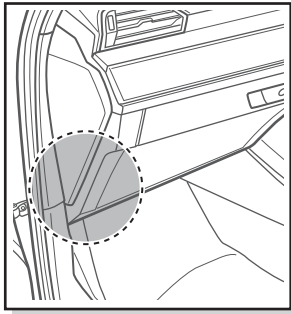
31

Vehicles **without** trailer preparation

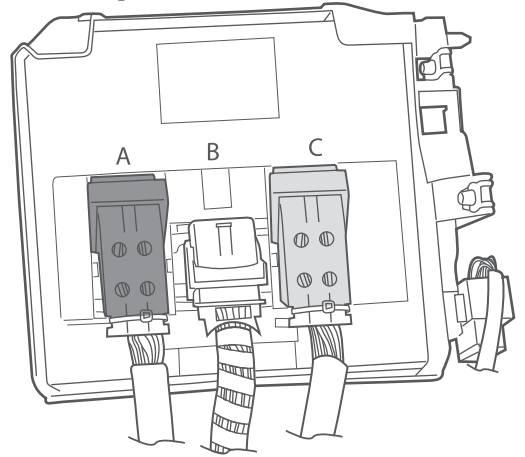


32

Vehicles **without** trailer preparation



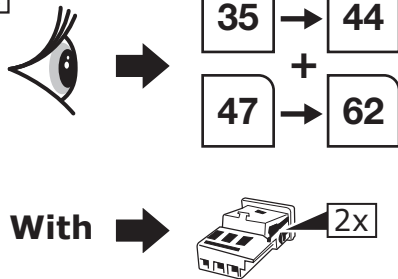
**Body Control Module**



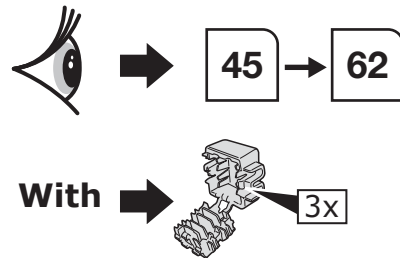
33

Vehicles **without** trailer preparation

CANbus  
**OPTION A**



CANbus  
**OPTION B**

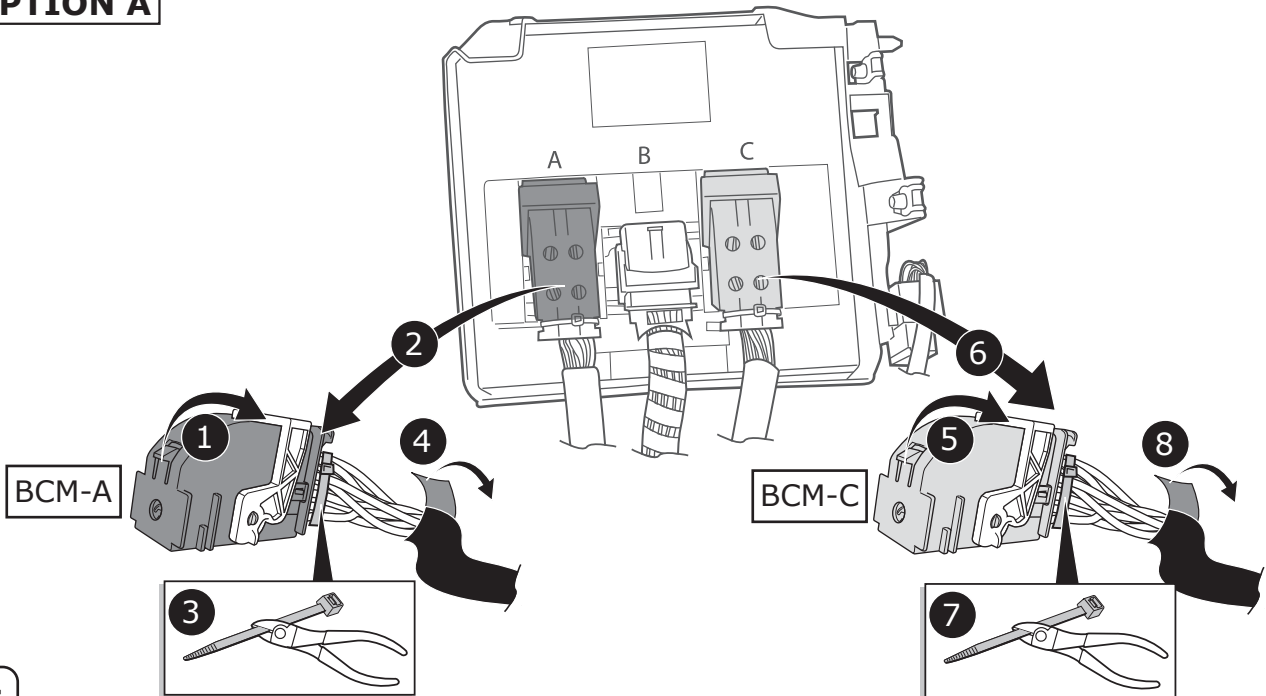


34

Vehicles **without** trailer preparation

CANbus  
**OPTION A**

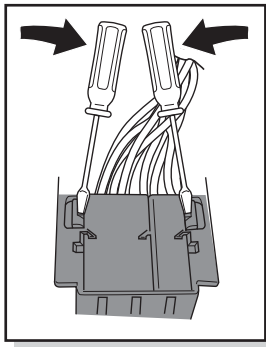
**Body Control Module**



35

Vehicles **without** trailer preparation

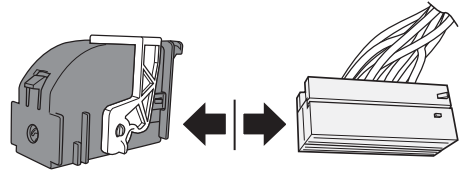
CANbus  
**OPTION A**



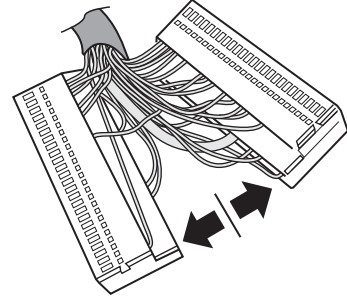
BCM-A

1

2



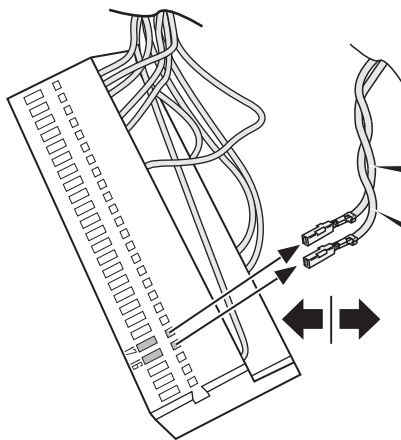
3



36

Vehicles **without** trailer preparation

CANbus  
**OPTION A**



BCM-A

**CAN L** Orange/Brown  
Pos. 17

**CAN H** Green or Pink  
Pos. 16

Can-bus  
Datawire

37

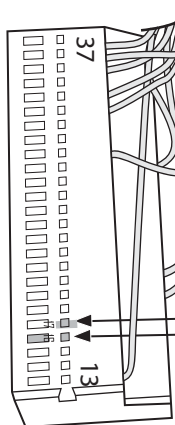
Vehicles **without** trailer preparation

CANbus  
**OPTION A**

**CAN L** Orange/Brown  
Pos. 1

**CAN H** Green or Pink  
Pos. 2

BCM-A



1

3

Orange/Brown  
Pos. 1

L1

Orange/Green  
Pos. 2

Orange/Brown  
Pos. 17

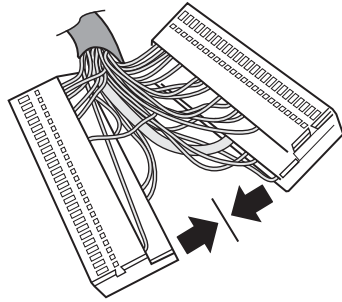
Orange/Green  
Pos. 16

Can-bus  
Datawire

38

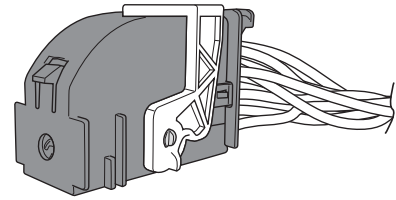
Vehicles **without** trailer preparation

CANbus  
**OPTION A**



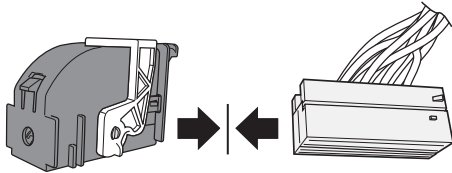
1

BCM-A



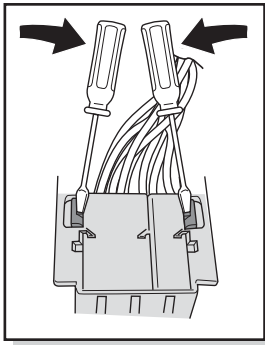
2

39



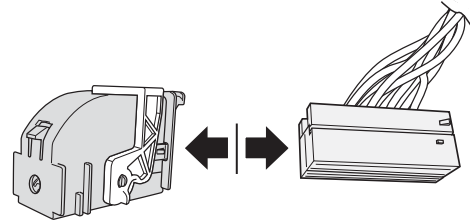
Vehicles **without** trailer preparation

CANbus  
**OPTION A**

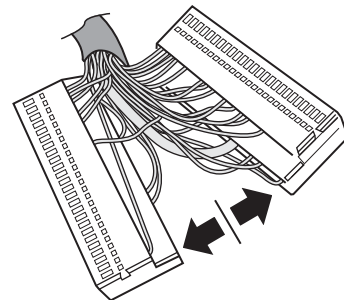


1

2



3



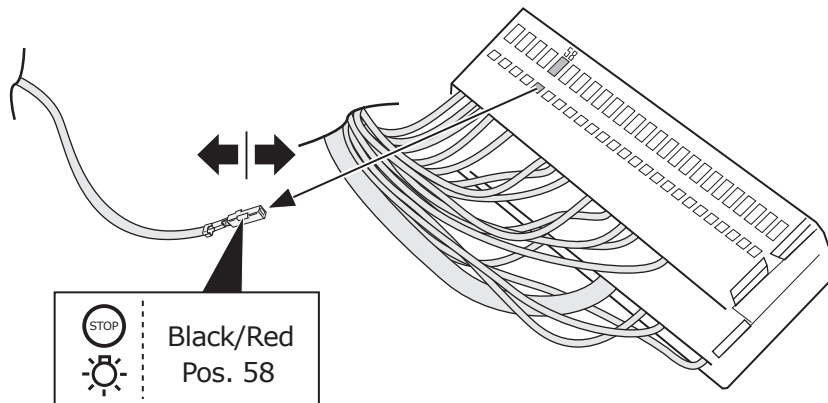
40

BCM-C

Vehicles **without** trailer preparation

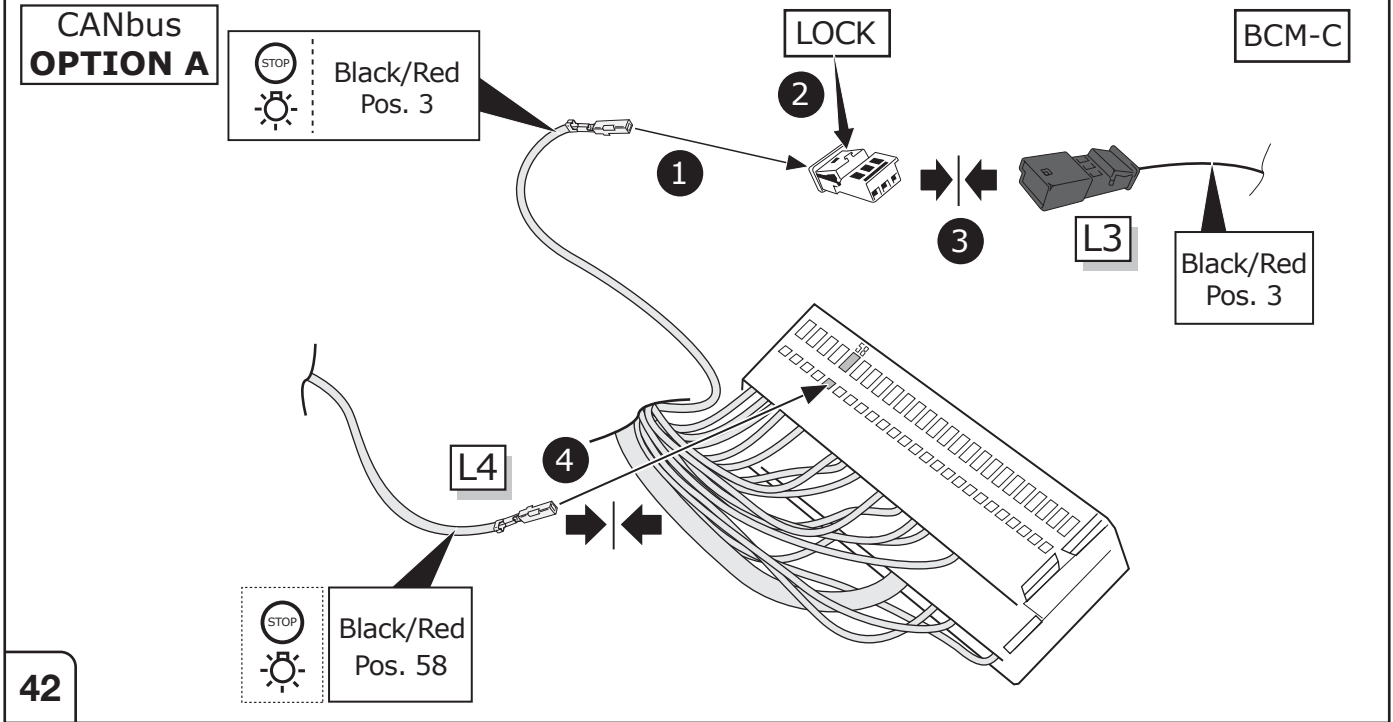
CANbus  
**OPTION A**

BCM-C

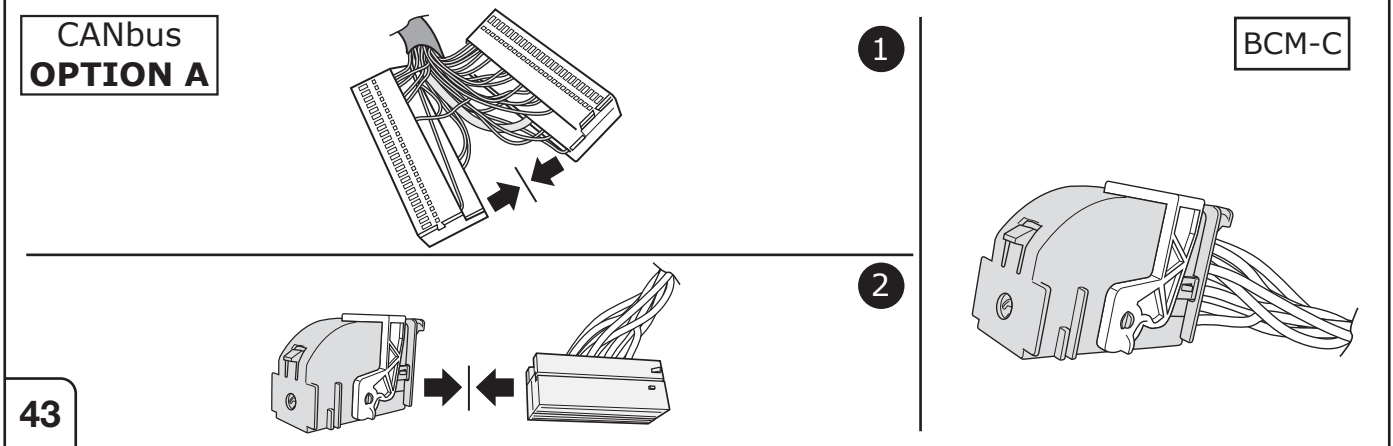


41

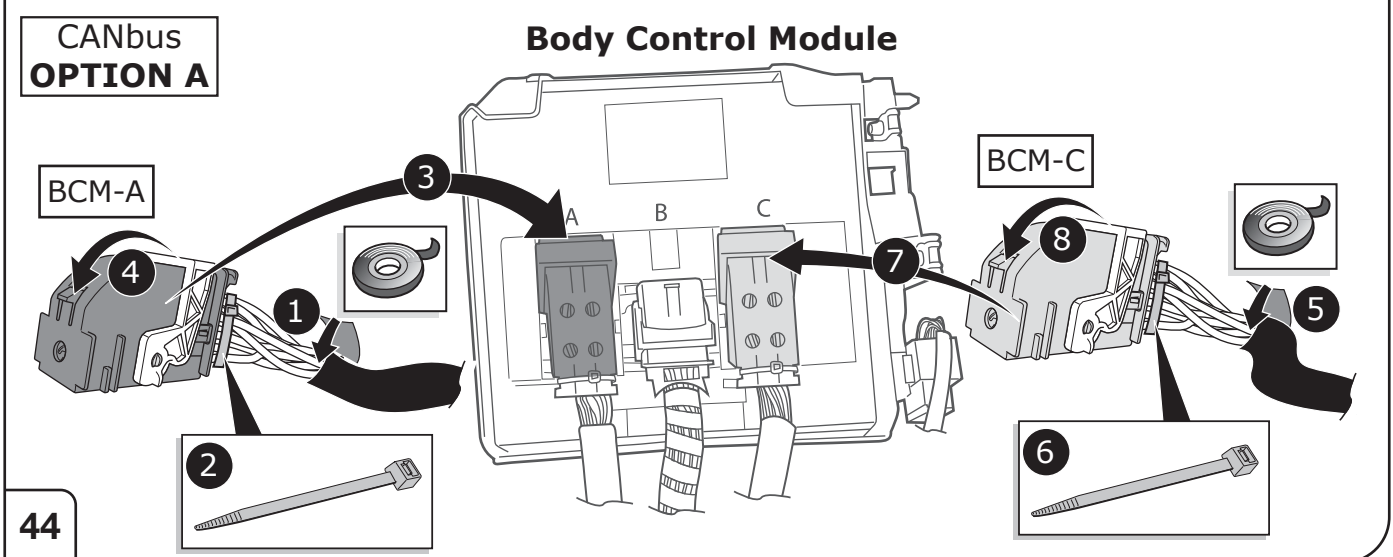
Vehicles **without** trailer preparation



Vehicles **without** trailer preparation

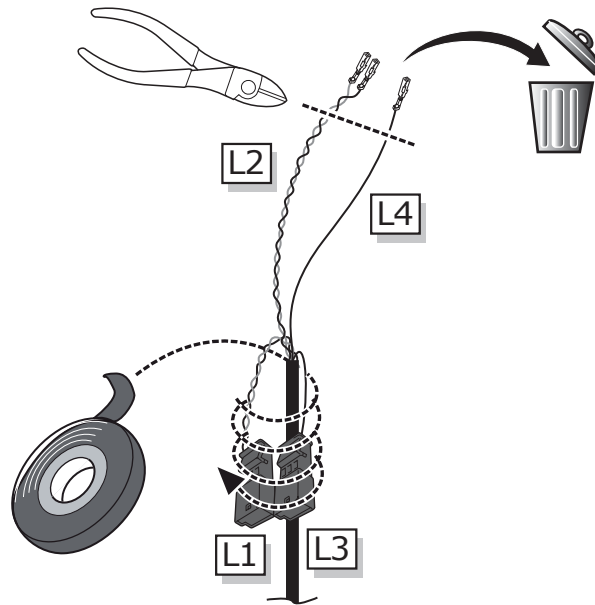


Vehicles **without** trailer preparation



Vehicles **without** trailer preparation

CANbus  
**OPTION B**

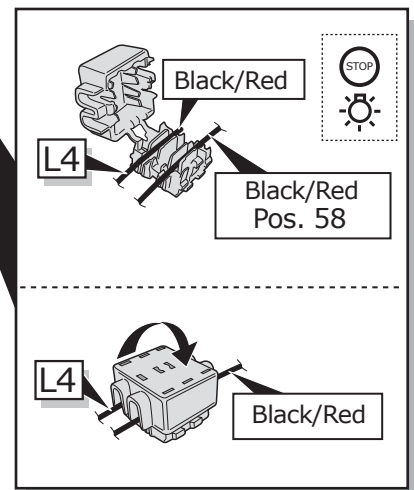
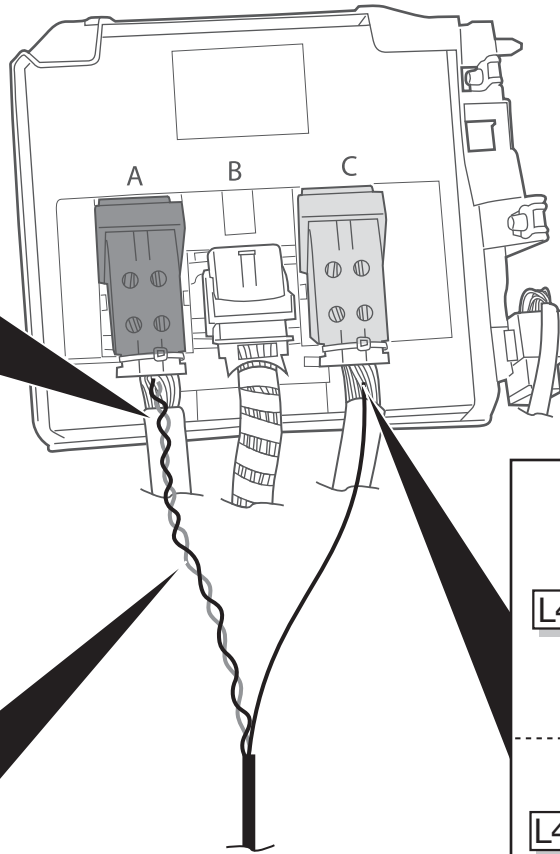
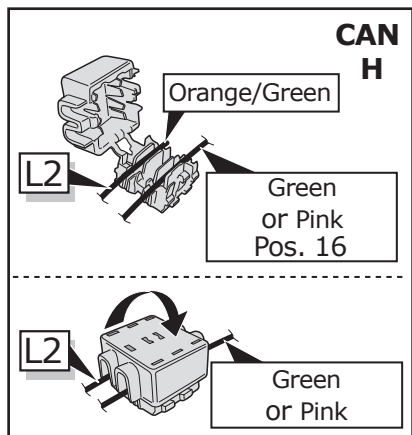
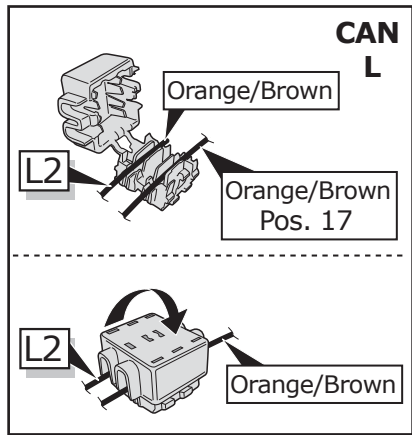


45

Vehicles **without** trailer preparation

CANbus  
**OPTION B**

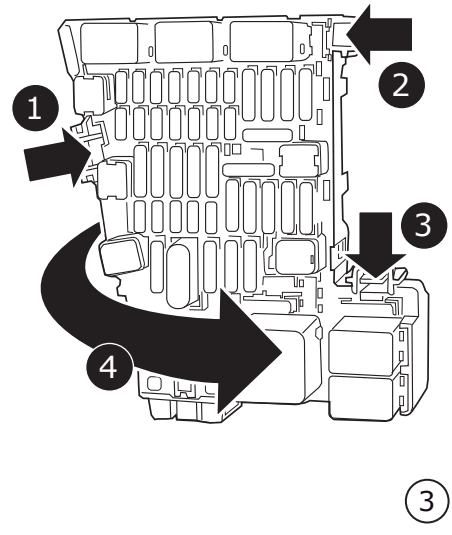
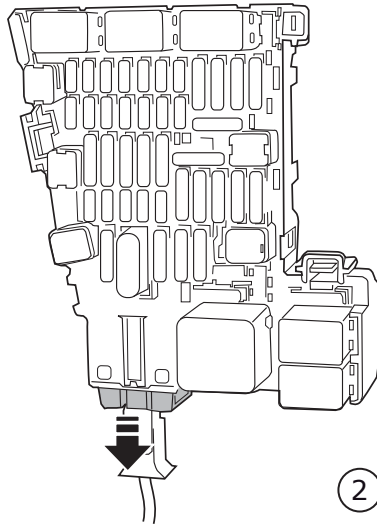
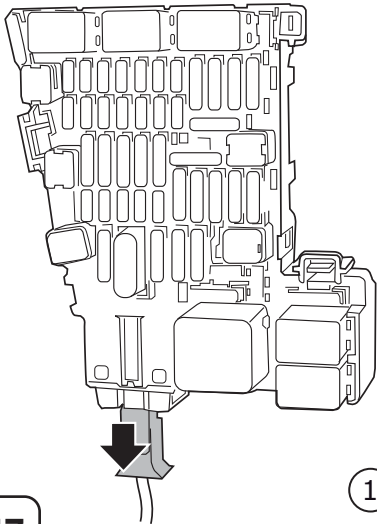
**Body Control Module**



46

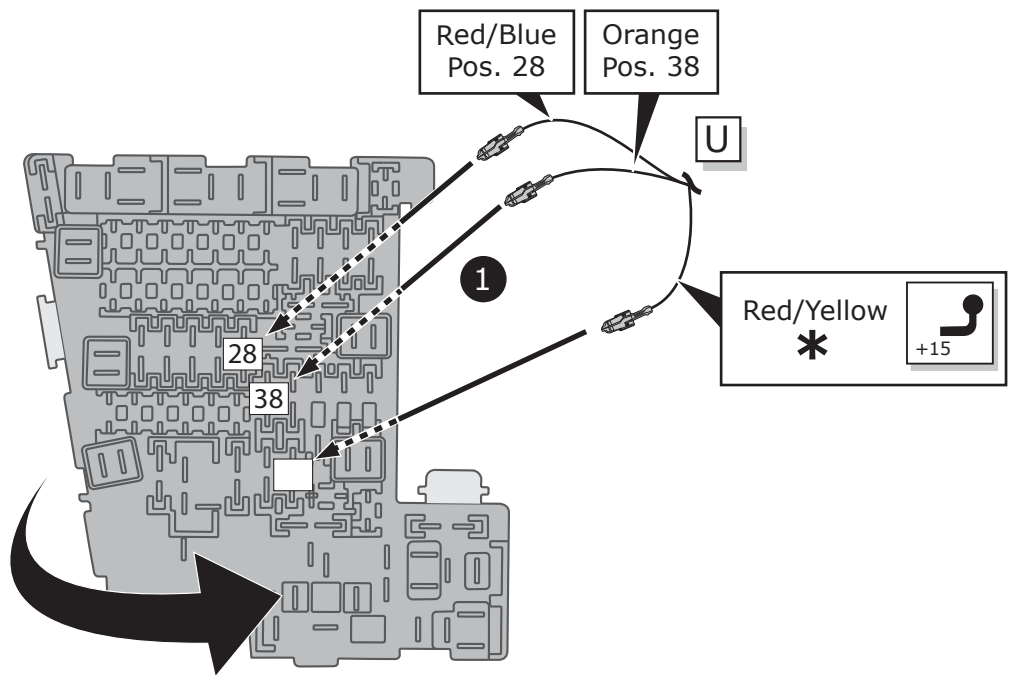
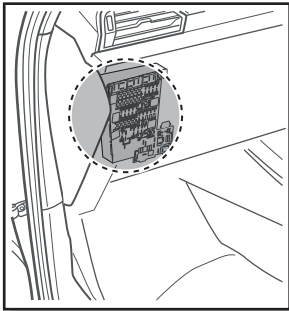
Vehicles **without** trailer preparation

Fuse box option A

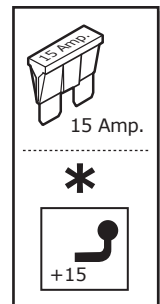
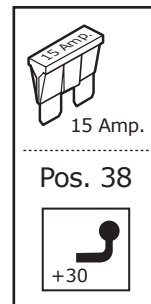
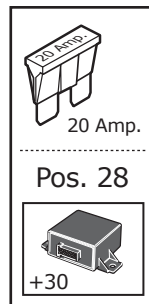


47

Vehicles **without** trailer preparation



2

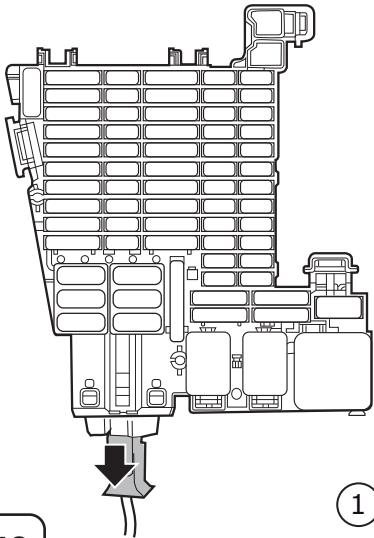


\* Choose free pos. B+30

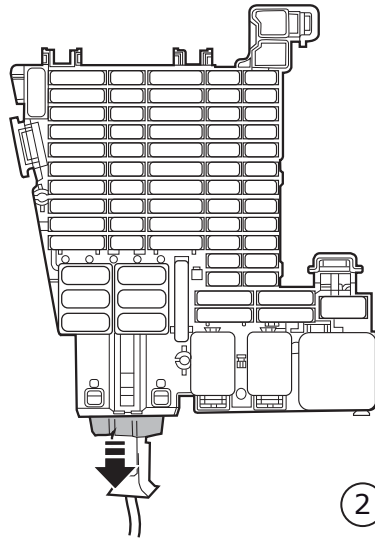
48

Vehicles **without** trailer preparation

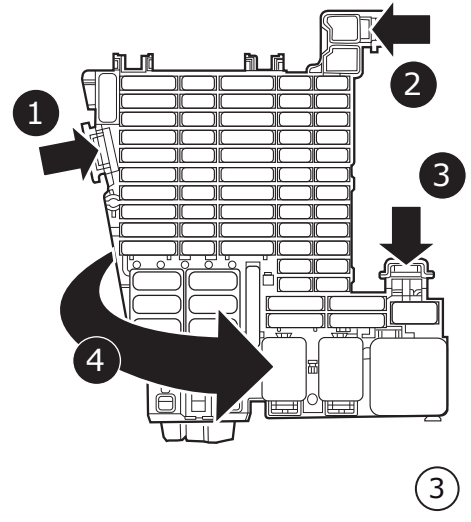
Fuse box option B



1



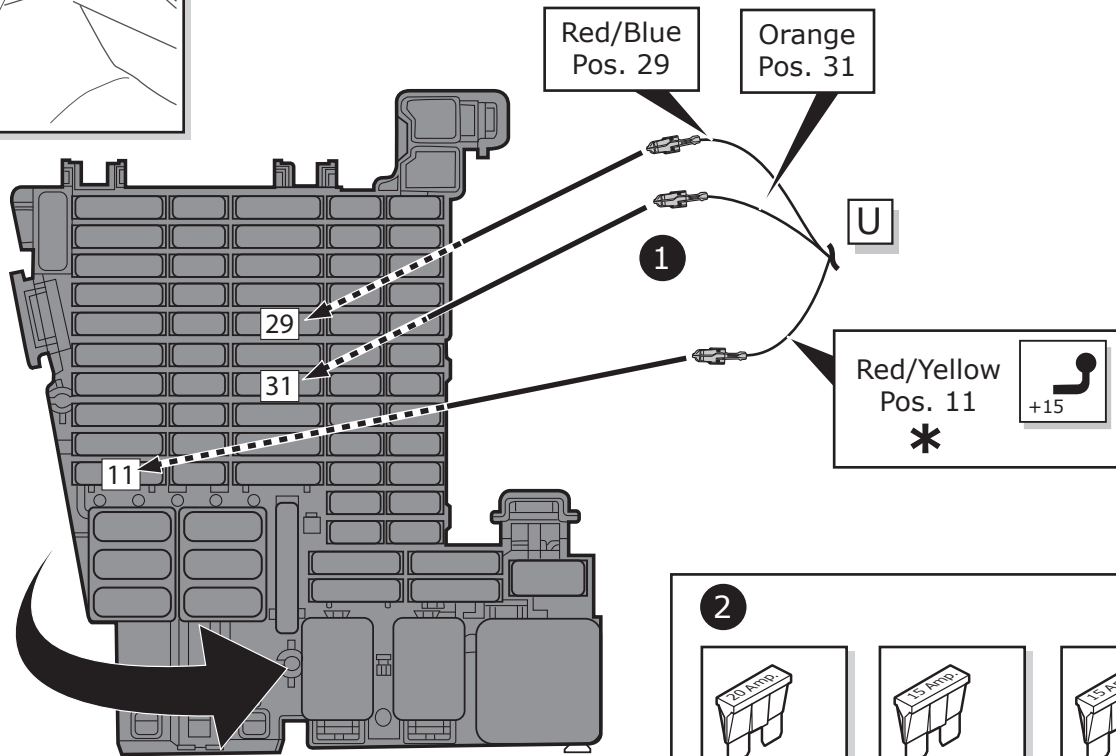
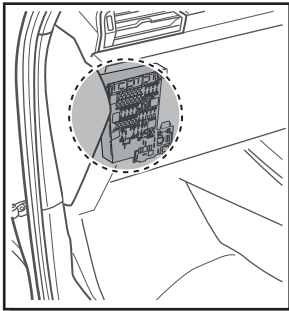
2



3

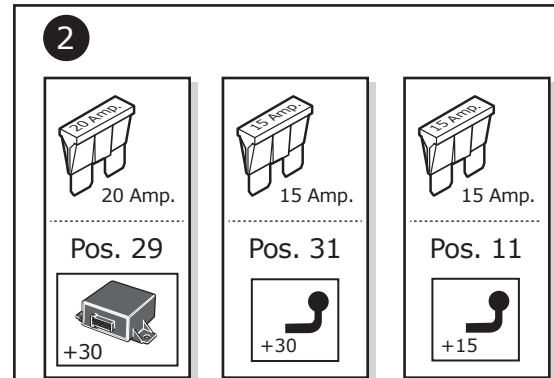
49

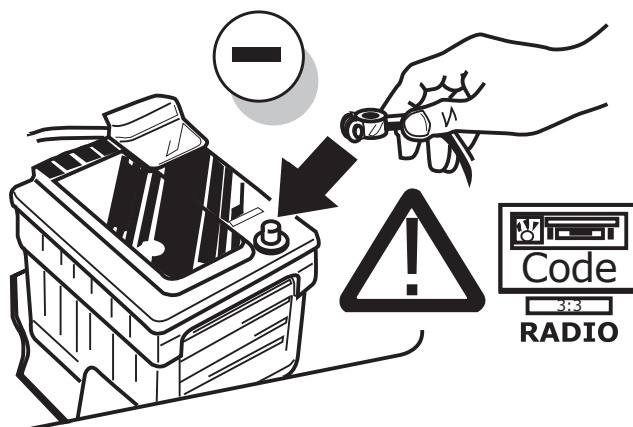
Vehicles **without** trailer preparation



\* If pos. 11 is taken, choose free pos. B+30

50





51

## Duplex-Mode 1 - With Coding (read/write)



### Diagnostic services and methods (local offline):

#### Please note:

Always use the latest diagnostic version!  
 The vehicle to be coded must be supported by the diagnostic service provider and already be implemented in the diagnostics version!  
 Please contact your diagnostic service provider in case of any question.

#### **ATTENTION!**

Model year 2021 vehicles are equipped with a so-called vehicle diagnosis protection (SFD). Make sure that access to locked on-board control units is granted by the diagnostic system.  
 Possible diagnostic service providers:

- ODIS (page 26)
- JIFELINE

52



## CODING WITH ODIS

### Please note:

The procedure described below for encoding and enabling the trailer mode only serves for a general orientation and can vary greatly depending on the model (motorisation / equipment). If necessary less or further control units will have to be adapted.

**After connecting to ODIS, the "69 trailer function" controller has to be set to encoded in the target installation list.**

The following may be necessary in the further course of work:

### **EZE\_09 (electronic central electric controller):**

Diagnosis  
 (possible login code: 31347)  
 Networking plan  
 Controller self-diagnosis  
 Encode  
 Trailer connection device >installed  
 or: hitch\_ecu >installed

### **Alternative encoding EZE\_09 as follows (MY 2017 >>):**

Self diagnose control unit  
 Access authorization >31347  
 Adjustment  
 Integration  
 Trailer control unit > installed

### **ZKS\_46 (Central module convenience system)**

trailer monitoring >put on active  
 trailer control unit >installed

### **SWA\_3C (Lane Change Assist)**

ECU for draw bar >with ECU for draw bar

### **SW2\_CF (Lane Change Assist2)**

ECU for draw bar >with ECU for draw bar

### **SCH\_17 (Dash panel insert)**

Trailer >yes

### **RFK\_6C (reverse camera system)**

equipment\_ahk >installed

### **STF\_74 (chassis control system)**

Trailer >installed

### **EPH\_76 (PDC controller)**

Trailer >trailer device can be removed manually

### **DIS\_13 (controller distance control)**

(possible login code: 20103)  
 Control module for towing sens >installed

### **Alternative encoding DIS\_13 as follows:**

Self diagnose control unit  
 Access authorization >20103  
 Encoding  
 Binary encoding  
**Byte 3**  
 Binary >xxxx1xxx  
 or Hex >+8

### **03 Brake electronics**

Access authorisation > 61378  
 Adjustments  
 Trailer stability >Active

### **FFF\_A5 (front sensor system controller)**

AAG >coded

### **HDE\_6D (boot lid electronics controller)**

Trailer >installed

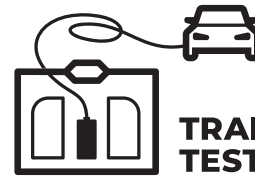
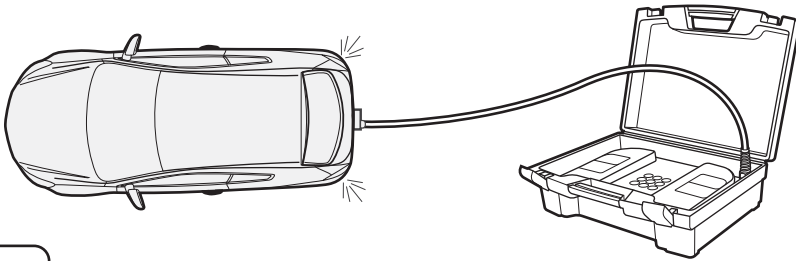
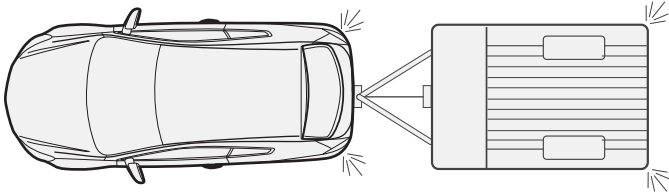
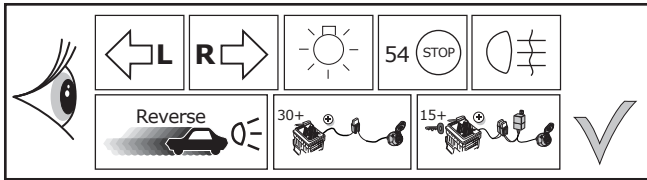
### **Encoding AST\_7E (Driver display unit)**

Encoding  
 Trailer → on

### **Important note on encoding and activating in trailer mode**

The aforementioned settings are carried out in the vehicle's electrical system and saved locally. During general updates for the vehicle software (for example, within the scope of service or repair work), the settings may be overwritten and deleted under certain circumstances. In this case, the trailer mode activation has to be updated again locally after the update. Diagnostic information relating to the trailer mode that may appear during variance comparisons with the data saved in the manufacturer's works, may form the basis of the local activation.

**Functional test**

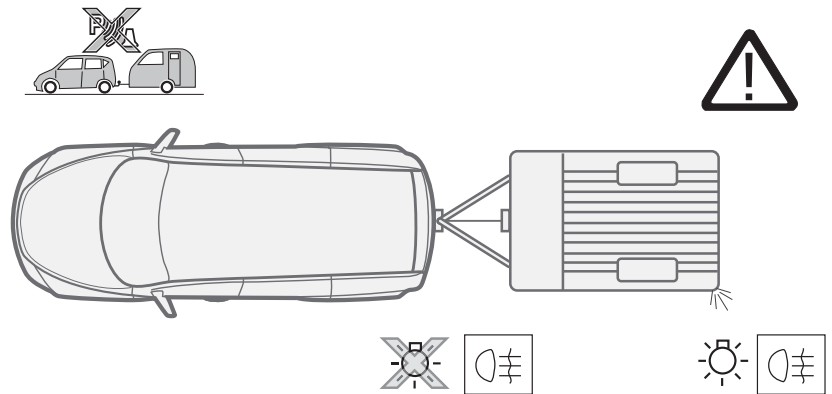
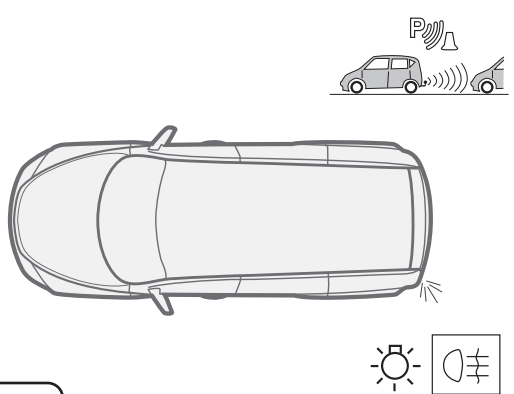
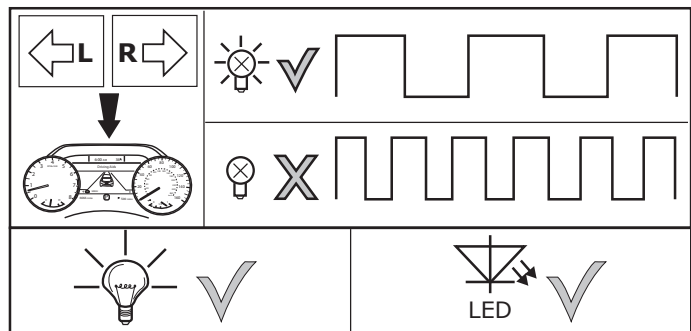
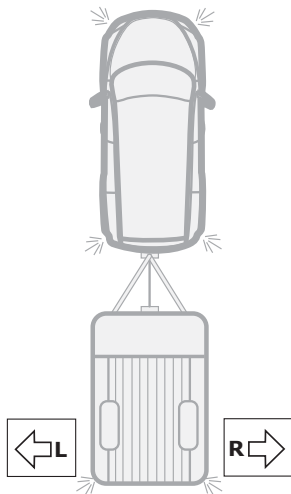


**TRAILER TEST DEVICE**  
**ECS** part no.  
**TD001ZZ**

54

**Duplex-Mode 1 - With Coding (read/write)**

**INFO**



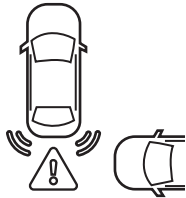
55



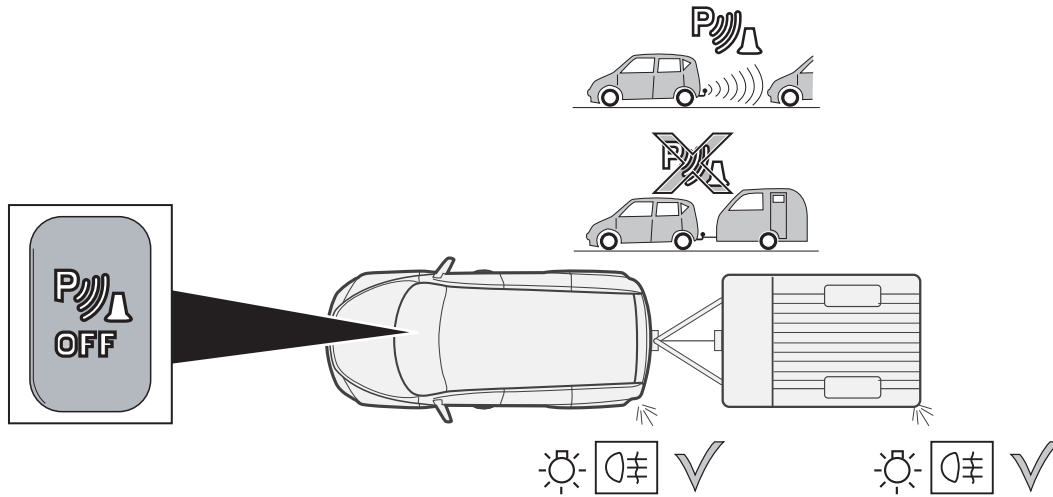
Rear fog light cut-off is not supported!



PDC to be deactivated manually!

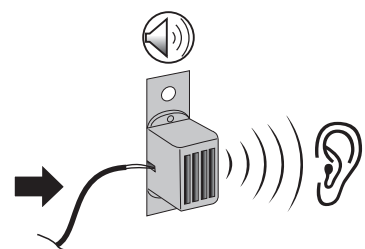
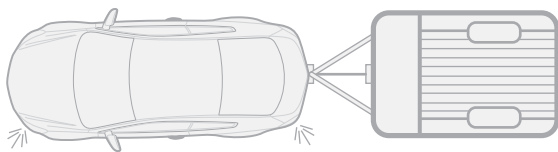
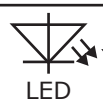


Rear Collision Avoidance Systems to be deactivated manually!



56

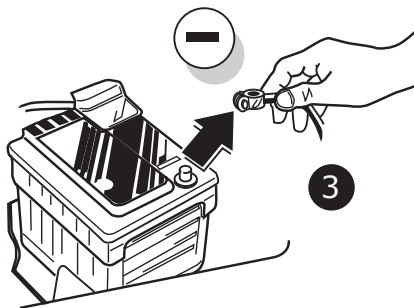
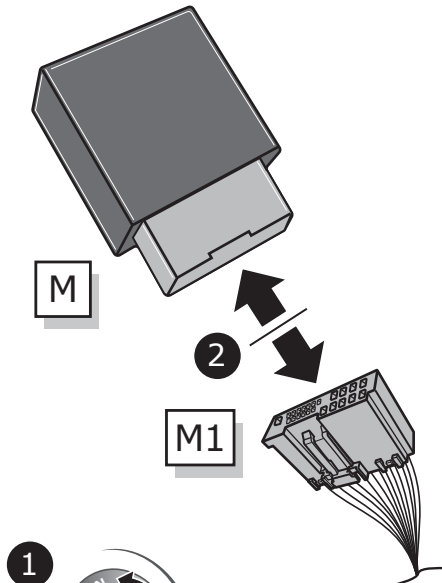
INFO



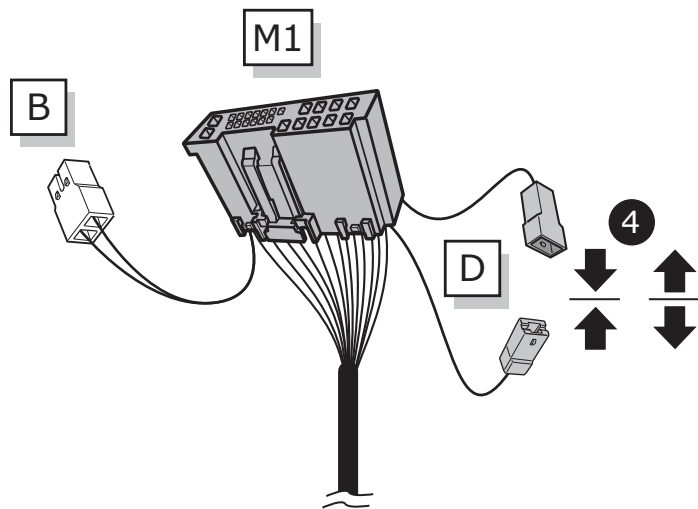
57

## How to change the Duplex-mode if required:

### INFO



1. Turn off ignition
  2. Disconnect trailer module M from harness M1
  3. Disconnect battery
  4. Set up requested Duplex mode:
    - Disconnect D and attach buzzer (B) for read-only mode
    - Connect D and remove buzzer (B) for read/write mode
- Connect trailer module M to harness M1
  - Connect battery
  - Turn on the ignition and run a full test
  - Coding may need removing or adding depending on Duplex mode selected



58

The following light functions for the trailer are **not supported** by all towing vehicles **with DRL circuit**:

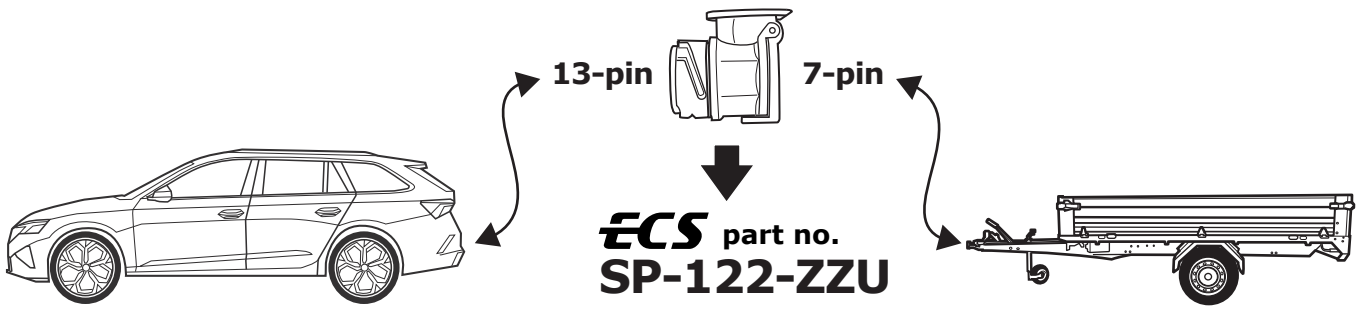
- Rear lights
- Side lights
- Numberplate lights

The **taillights or dimmed headlights** **must be switched on** to activate this function!

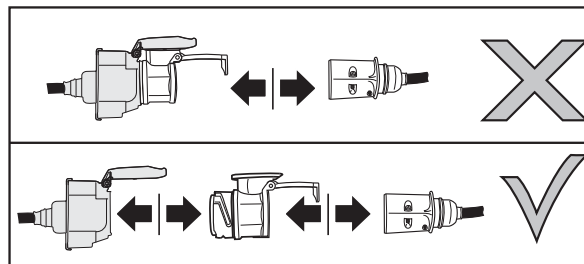
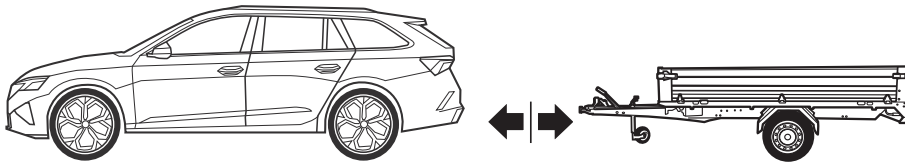
59

**Optional**

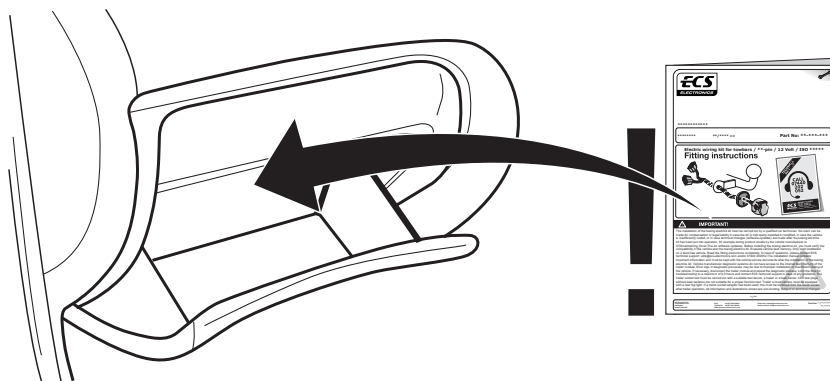
### Adapter socket



60

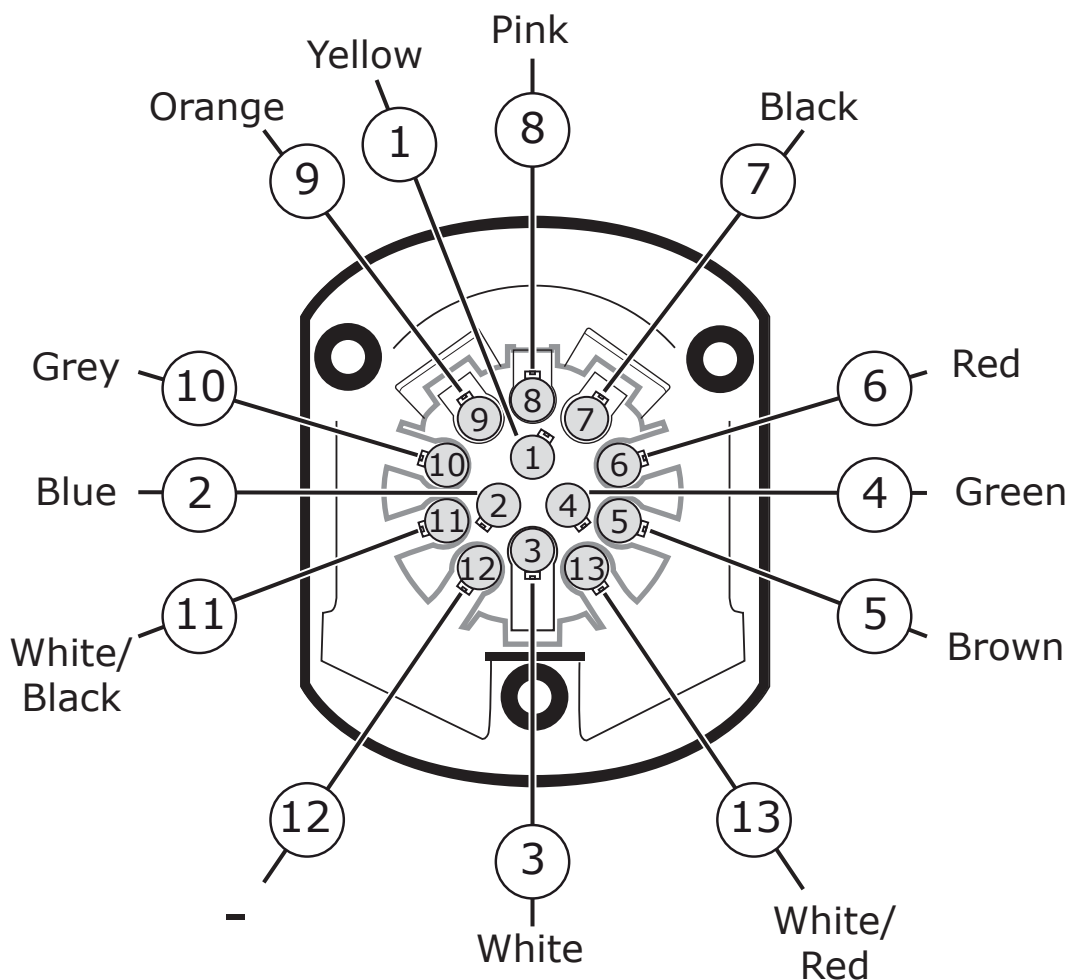
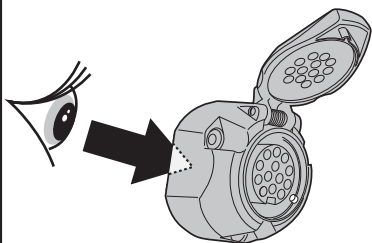


61



62

## SOCKET CONNECTION



## SOCKET CONNECTION

DIN/ISO 11446													
	1/L	2	3/31	4/R	5/58-R	6/54	7/58-L	8	9	10	11	12	13
Pmax	21W	42W		21W	52W	3x21W	52W	42W	180W/15Amp	180W/15Amp			
Colour	Yellow	Blue	White	Green	Brown	Red	Black	Pink	Orange	Grey	White/ Black	-	White/ Red